

# "CONTENTS"

	<b>SECTION.</b>
FICEP.....	A
GEKA.....	B
KINGSLAND (May use Mubea style tooling ) .....	C
MARKSMAN.....	D
MUBEA.....	E
OMERA.....	F
PEDDINGHAUS .....	G
SCOTCHMAN.....	H
SUNRISE ( Will use Geka or Mubea style tooling. Please check ) .....	I
SHAPE SELECTION GUIDE .....	J

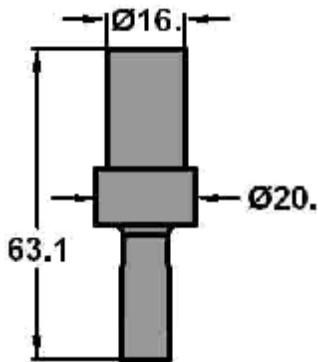


# FICEP

	<i>PAGE.</i>
#1 TOOLING.....	1
#10 TOOLING.....	1
#13 TOOLING.....	2
#14 TOOLING.....	2
#16 TOOLING.....	3

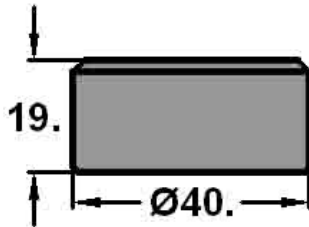


# FICEP

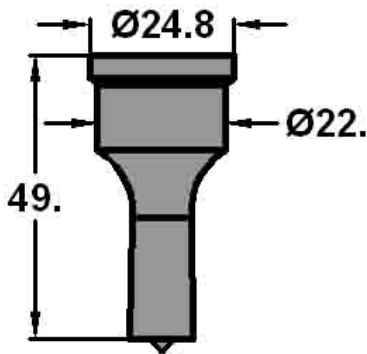


## #1 Tooling

Round Punch..... IF1P-000  
Shaped Punch..... IF1P-XXX

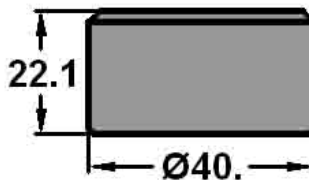


Round Die ..... IF1D-000  
Shaped Die..... IF1D-XXX



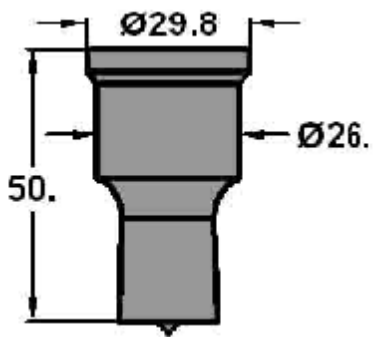
## #10 Tooling

Round Punch..... IF10P-000  
Shaped Punch..... IF10P-XXX



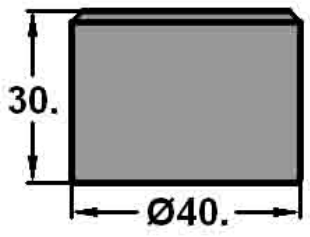
Round Die ..... IF10D-000  
Shaped Die..... IF10D-XXX

# FICEP

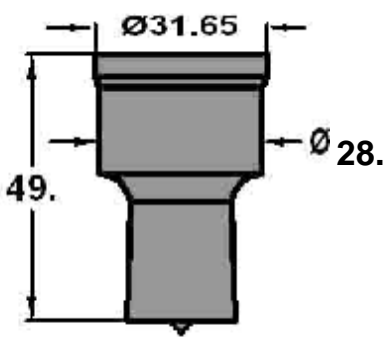


## #13 Tooling

Round Punch.....IF13P-000  
Shaped Punch.....IF13P-XXX

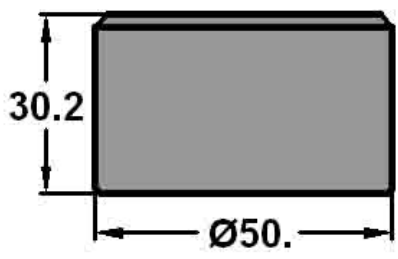


Round Die.....IF13D-000  
Shaped Die.....IF13D-XXX



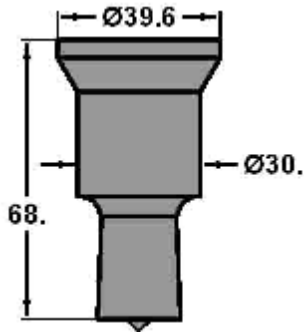
## #14 Tooling

Round Punch.....IF14P-000  
Shaped Punch.....IF14P-XXX



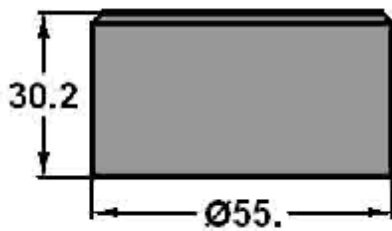
Round Die.....IF14D-000  
Shaped Die.....IF14D-XXX

# FICEP



## #16 Tooling

Round Punch..... IF16P-000  
Shaped Punch..... IF16P-XXX

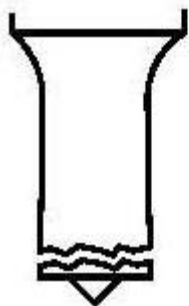


Round Die..... IF16D-000  
Shaped Die..... IF16D-XXX

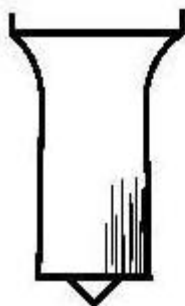
## Handy Hints for: Chipping and Galling

Suggestion:  
Check the alignment between the punch and die,  
there must be equal clearance all around

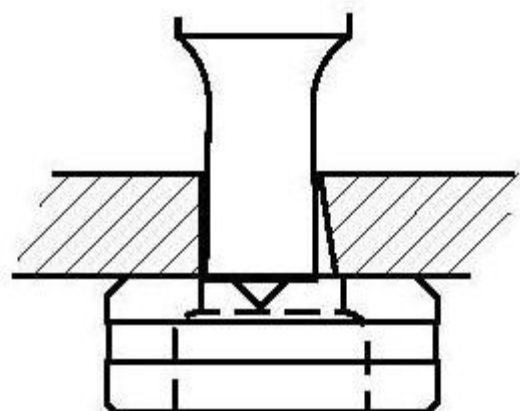
Face Chipping



Heavy Galling  
in one area



Poor alignment between  
punch and die, causing the  
punch to drag



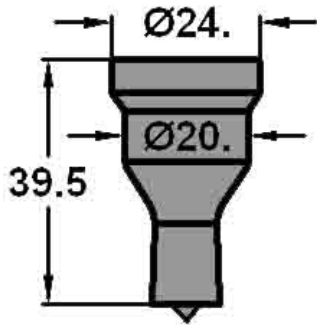
# GEKA

**PAGE.**

#1 PUNCHES .....	1
#2 PUNCHES .....	1
#5-15 PUNCHES .....	1
#5-27 PUNCHES .....	1
#6 PUNCHES .....	2
#8-19 PUNCHES .....	2
#8-31 PUNCHES .....	2
#8-40 PUNCHES .....	2
#10-26 PUNCHES .....	3
#10-40 PUNCHES .....	3
#11 PUNCHES .....	3
#11A PUNCHES .....	3
#12 PUNCHES .....	4
#12A PUNCHES .....	4
#13 PUNCHES .....	4
#13A PUNCHES .....	4
#1 DIE .....	5
#1A DIE .....	5
#2 DIE .....	5
#5 DIE .....	5
#6 DIE .....	6
#8 DIE .....	6
#10 DIE .....	6
#11 DIE .....	6
#12 DIE .....	7
#13 DIE .....	7

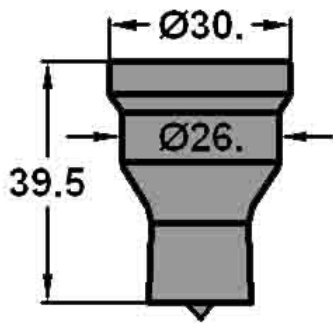


# GEKA



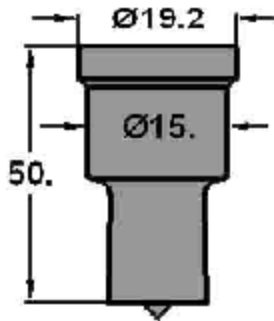
## #1 Punches

Round Punch.....IG1P-000  
Shaped Punch.....IG1P-XXX



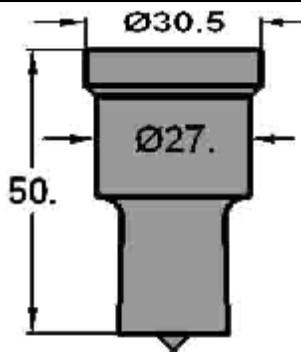
## #2 Punches

Round Punch.....IG2P-000  
Shaped Punch.....IG2P-XXX



## #5-15 Punches

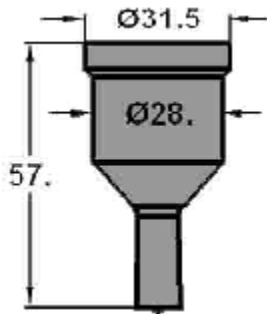
Round Punch.....IG5-15P-000  
Shaped Punch.....IG5-15P-XXX



## #5-27 Punches

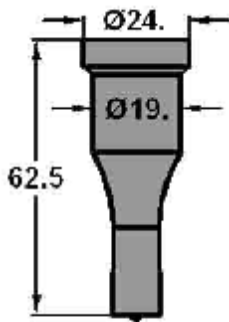
Round Punch.....IG5-27P-000  
Shaped Punch.....IG5-27P-XXX

# GEKA



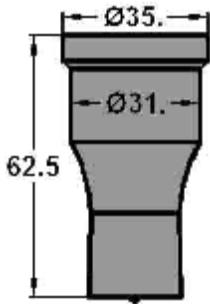
## #6 Punches

Round Punch.....IG6P-000  
Shaped Punch.....IG6P-XXX



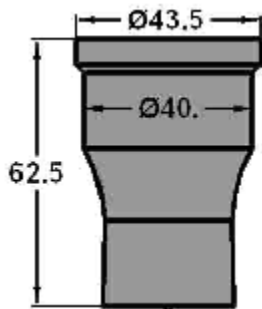
## #8-19 Punches

Round Punch Only .....IG8-19P-000



## #8-31 Punches

Round Punch.....IG8-31P-000  
Shaped Punch.....IG8-31P-XXX

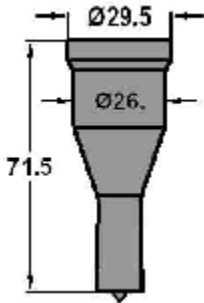


## #8-40 Punches

Round Punch.....IG8-40P-000  
Shaped Punch.....IG8-40P-XXX

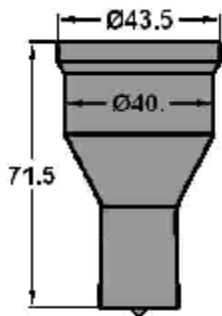


# GEKA



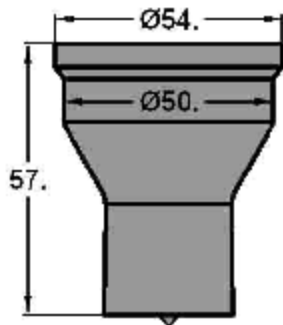
## #10-26 Punches

Round Punch.....IG10-26P-000  
Shaped Punch.....IG10-26P-XXX



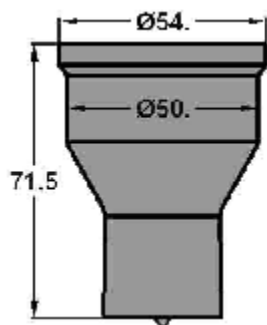
## #10-40 Punches

Round Punch.....IG10-40P-000  
Shaped Punch.....IG10-40P-XXX



## #11 Punches

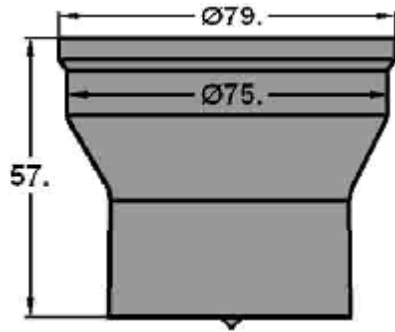
Round Punch.....IG11P-000  
Shaped Punch.....IG11P-XXX



## #11A Punches

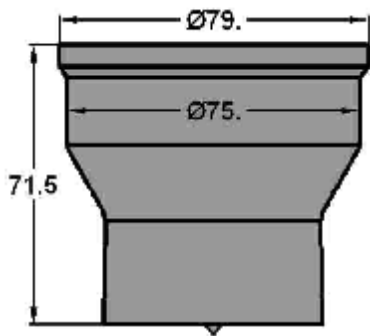
Round Punch.....IG11AP-000  
Shaped Punch.....IG11AP-XXX

# GEKA



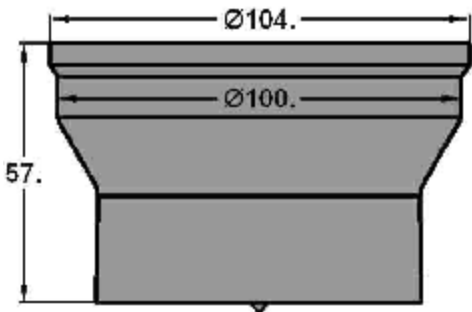
## #12 Punches

Round Punch.....IG12P-000  
Shaped Punch.....IG12P-XXX



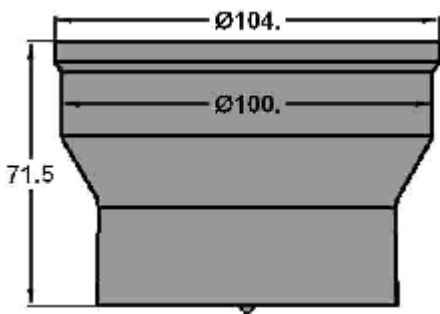
## #12A Punches

Round Punch.....IG12AP-000  
Shaped Punch.....IG12AP-XXX



## #13 Punches

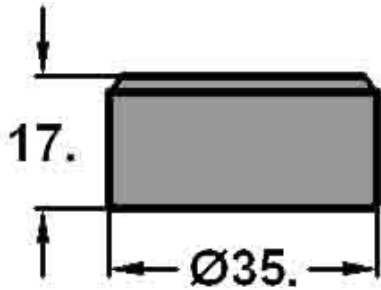
Round Punch.....IG13P-000  
Shaped Punch.....IG13P-XXX



## #13A Punches

Round Punch.....IG13AP-000  
Shaped Punch.....IG13AP-XXX

# GEKA



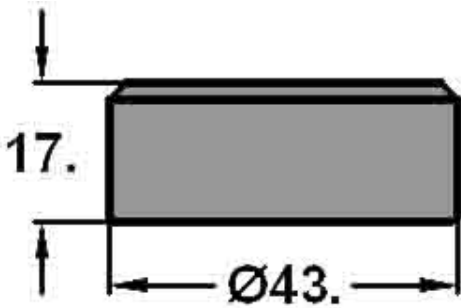
**#1 Die**

Round Die.....IG1D-000  
Shaped Die.....IG1D-XXX



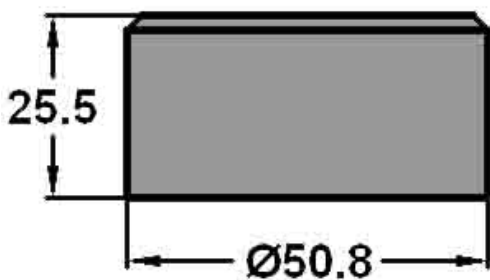
**#1A Die**

Round Die.....IG1AD-000  
Shaped Die.....IG1AD-XXX



**#2 Die**

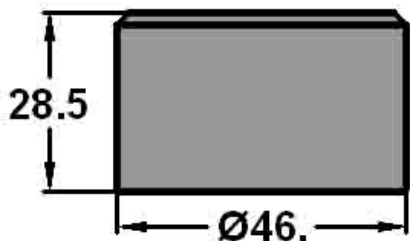
Round Die.....IG2D-000  
Shaped Die.....IG2D-XXX



**#5 Die**

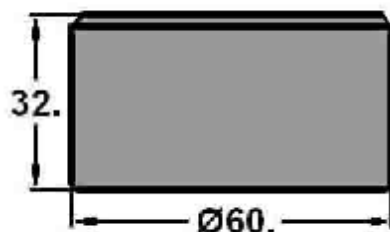
Round Die.....IG5D-000  
Shaped Die.....IG5D-XXX

# GEKA



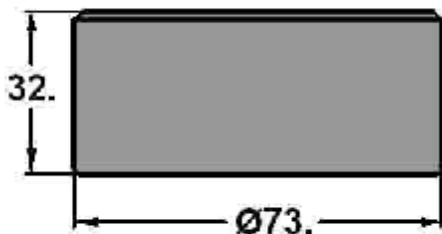
## #6 Die

Round Die.....IG6D-000  
Shaped Die.....IG6D-XXX



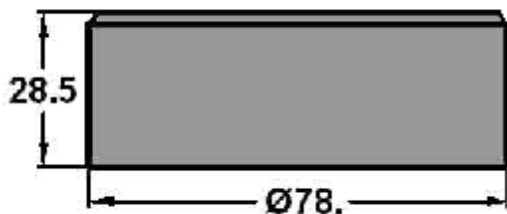
## #8 Die

Round Die.....IG8D-000  
Shaped Die.....IG8D-XXX



## #10 Die

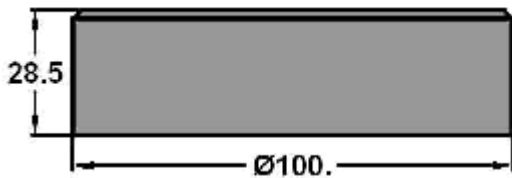
Round Die.....IG10D-000  
Shaped Die.....IG10D-XXX



## #11 Die

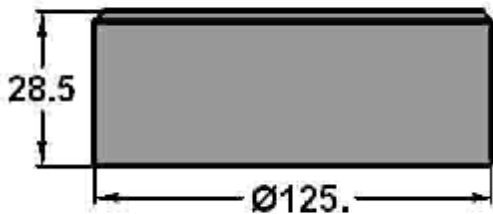
Round Die.....IG11D-000  
Shaped Die.....IG11D-XXX

# GEKA



#12 Die

Round Die.....IG12D-000  
Shaped Die.....IG12D-XXX

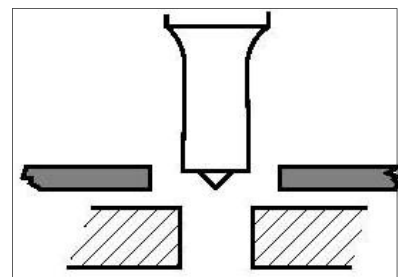
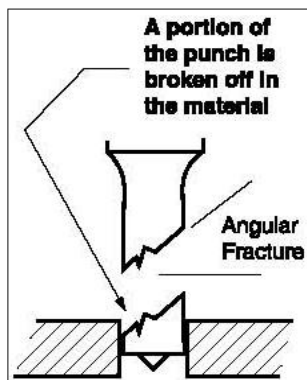
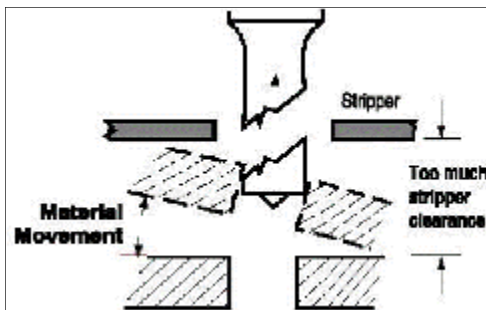


#13 Die

Round Die.....IG13D-000  
Shaped Die.....IG13D-XXX

## Handy Hints for: Stripping Failure

Suggestion:  
Adjust the stripper closer to the material

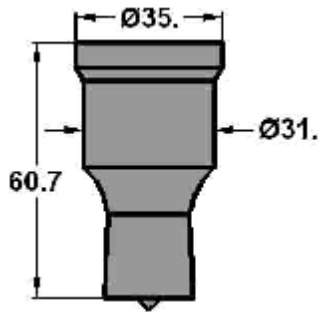


# KINGSLAND

	<i>PAGE.</i>
J14 TOOLING .....	1
J14 LONG SERIES TOOLING .....	1
J21 TOOLING .....	2
J25 TOOLING .....	2
J213 TOOLING .....	3
J253 TOOLING .....	3

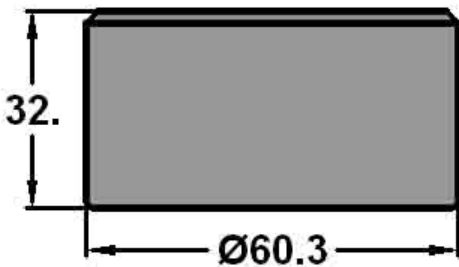


# KINGSLAND

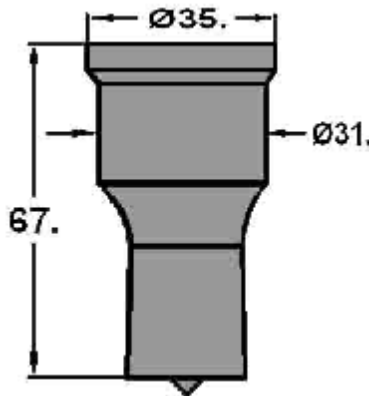


## J14 Tooling

Round Punch.....IKJ14P-000  
Shaped Punch.....IKJ14P-XXX

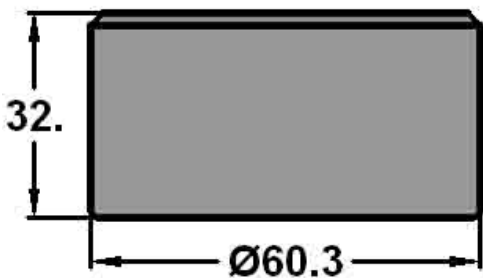


Round Die.....IKJ1D-000  
Shaped Die.....IKJ1D-XXX



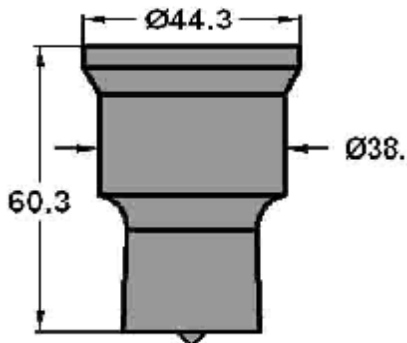
## J 14 Long Series Tooling

Round Punch.....IKJ14PL-000  
Shaped Punch.....IKJ14PL-XXX



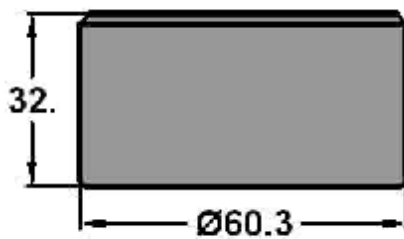
Round Die.....IKJ1D-000  
Shaped Die.....IKJ1D-XXX

# KINGSLAND

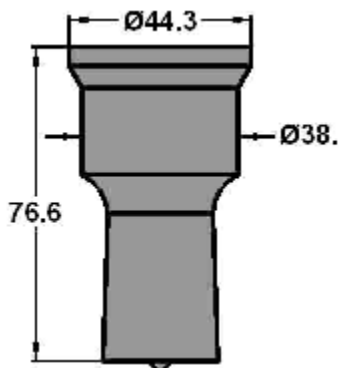


## J21 Tooling

Round Punch.....IKJ21P-000  
Shaped Punch.....IKJ21P-XXX



Round Die.....IKJ1D-000  
Shaped Die.....IKJ1D-XXX



## J25 Tooling

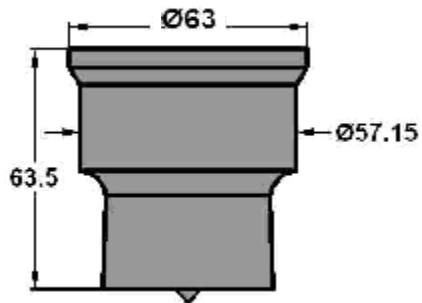
Round Punch.....IKJ25P-000  
Shaped Punch.....IKJ25P-XXX



Round Die.....IKJ1D-000  
Shaped Die.....IKJ1D-XXX

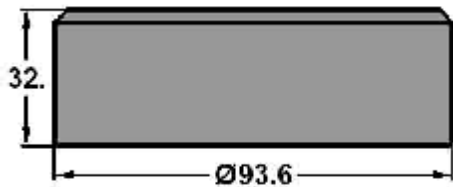


# KINGSLAND

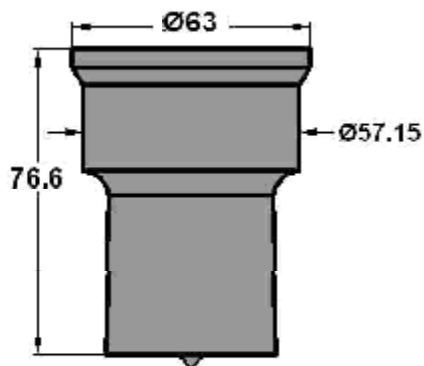


## J213 Tooling

Round Punch.....IKJ213P-000  
Shaped Punch.....IKJ213P-XXX

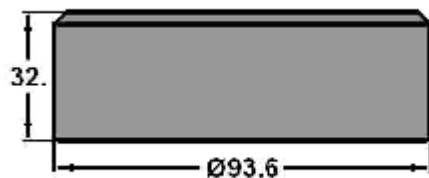


Round Die.....IKJ213D-000  
Shaped Die.....IKJ213D-XXX



## J253 Tooling

Round Punch.....IKJ253P-000  
Shaped Punch.....IKJ253P-XXX



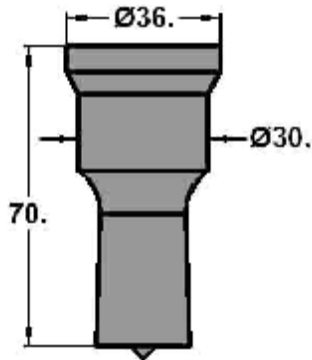
Round Die.....IKJ213D-000  
Shaped Die.....IKJ213D-XXX

# MARKSMAN

	<i>PAGE.</i>
#1 TOOLING .....	1
#2 TOOLING .....	1
#3 TOOLING .....	2
SERIES 454 SHEAR BLADES .....	2
SERIES 505 SHEAR BLADES .....	3
SERIES 75 SHEAR BLADES .....	3
SERIES 95 SHEAR BLADES .....	4



# MARKSMAN

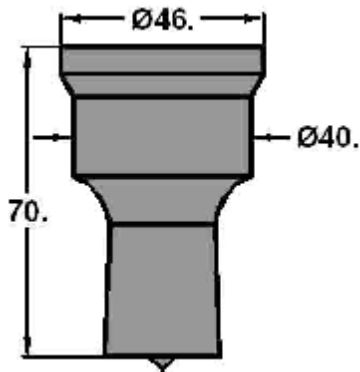


## #1 Tooling

Round Punch.....IMK1P-000  
Shaped Punch.....IMK1P-XXX



Round Die.....IMK1D-000  
Shaped Die.....IMK1D-XXX



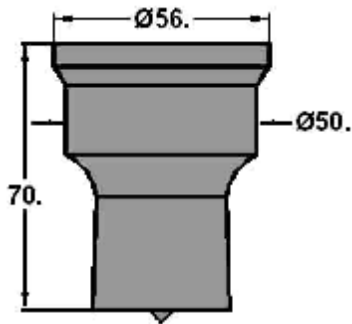
## #2 Tooling

Round Punch.....IMK2P-000  
Shaped Punch.....IMK2P-XXX



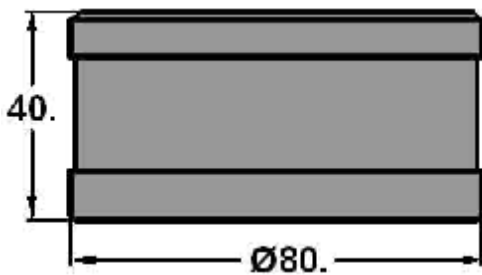
Round Die.....IMK1D-000  
Shaped Die.....IMK1D-XXX

# MARKSMAN

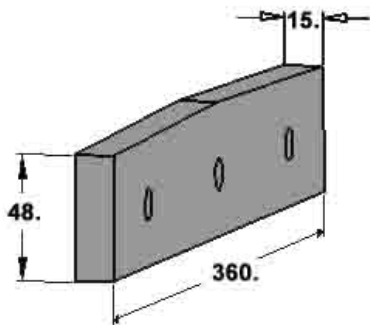


## #3 Tooling

Round Punch.....IMK3P-000  
 Shaped Punch.....IMK3P-XXX

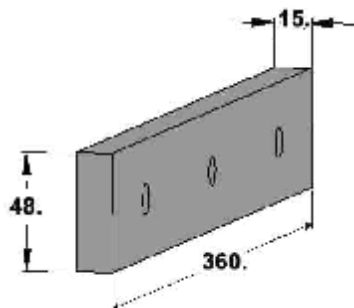


Round Die.....IMK3D-000  
 Shaped Die.....IMK3D-XXX



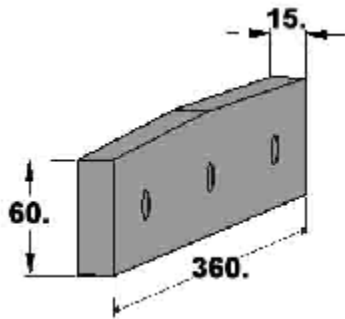
## SERIES 454 SHEAR BLADES

Upper Shear Blade ( Moving ) .....IMK454-4821



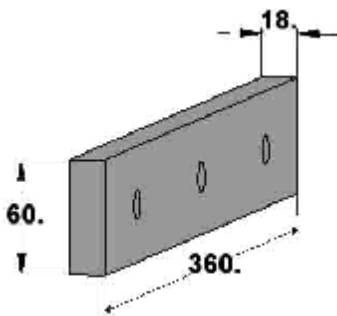
Lower Shear Blade ( Fixed ) .....IMK454-2821

# MARKSMAN

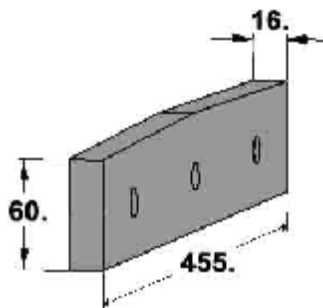


## Series 505 Shear Blades

Upper Shear Blade ( Moving ) ..... IMK505-4821

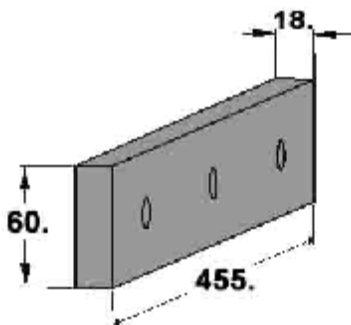


Lower Shear Blade ( Fixed ) ..... IMK505-2821



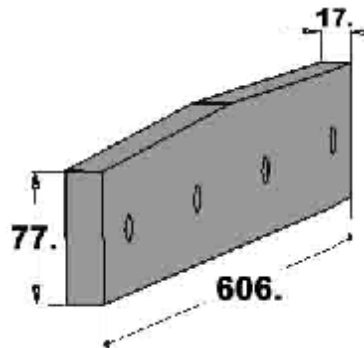
## SERIES 75 SHEAR BLADES

Upper Shear Blade ( Moving ) ..... IMK75-4821



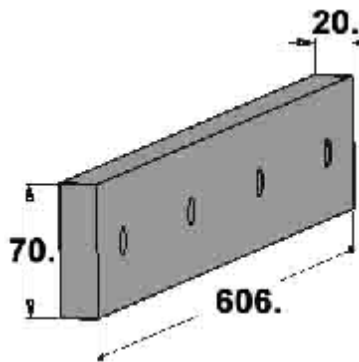
Lower Shear Blade ( Fixed ) ..... IMK75-2821

# MARKSMAN



## Series 95 Shear Blades

Upper Shear Blade ( Moving ) ..... IMK95-4821

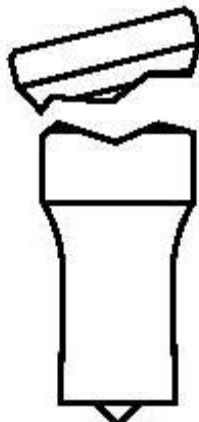


Lower Shear Blade ( Fixed ) ..... IMK95-2821

## Handy Hints for: The punch head breaking off

Suggestion:

**Re-tighten the coupling nut after the first couple of hits,  
and then every so often throughout the day.  
Check the face of the stem, it must be smooth and flat.**



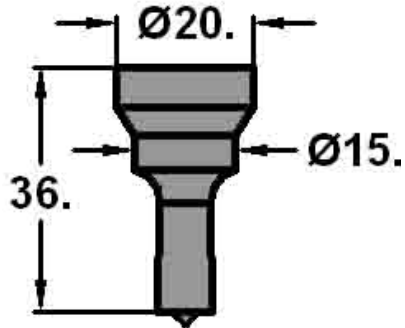
**A loose coupling nut,  
worn punch stem, or  
coupling nut will cause  
the head to fracture**

# MUBEA

	<i>PAGE.</i>
#1 TOOLING .....	1
#2 TOOLING .....	1
#3 TOOLING .....	2
#4 TOOLING .....	2

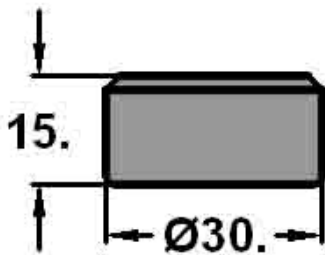


# MUBEA

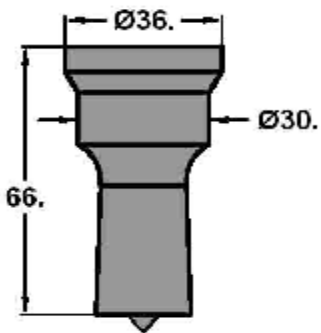


## #1 Tooling

Round Punch.....IM1P-000  
Shaped Punch.....IM1P-XXX

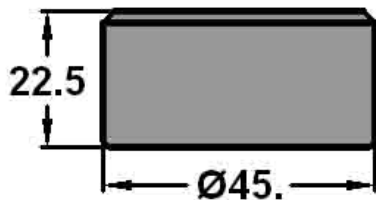


Round Die.....IM1D-000  
Shaped Die.....IM1D-XXX



## #2 Tooling

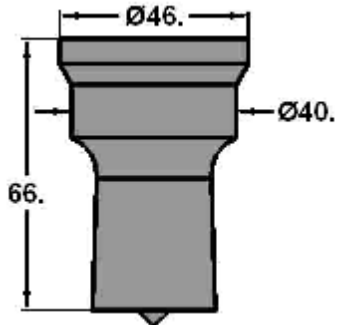
Round Punch.....IM2P-000  
Shaped Punch.....IM2P-XXX



Round Die.....IM2D-000  
Shaped Die.....IM2D-XXX

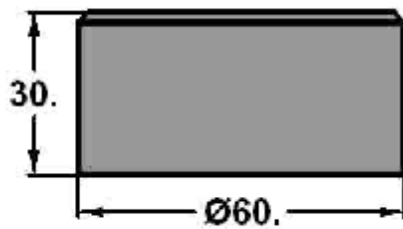


# MUBEA

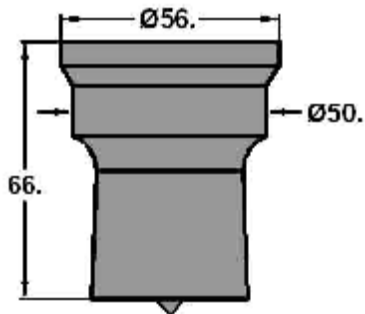


## #3 Tooling

Round Punch.....IM3P-000  
Shaped Punch.....IM3P-XXX

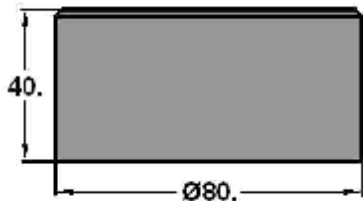


Round Die.....IM3D-000  
Shaped Die.....IM3D-XXX



## #4 Tooling

Round Punch.....IM4P-000  
Shaped Punch.....IM4P-XXX



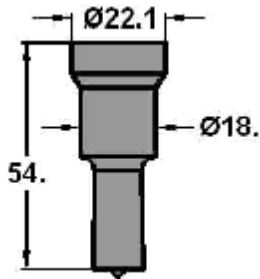
Round Die.....IM4D-000  
Shaped Die.....IM4D-XXX

# OMERA

	<i>PAGE.</i>
#0 PUNCHES .....	1
#1 PUNCHES .....	1
#2PUNCHES .....	1
#0 DIES.....	2
#3 DIES.....	2
#4 DIES.....	2

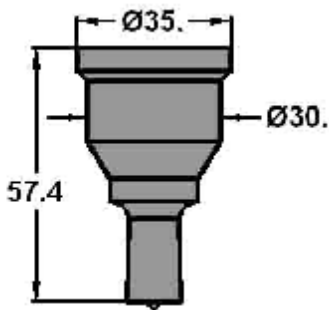


# OMERA



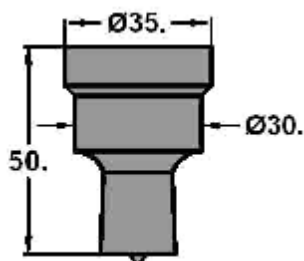
## #0 Punches

Round Punch..... IOM0P-000  
Shaped Punch..... IOM0P-XXX



## #1 Punches

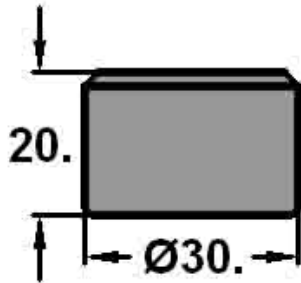
Round Punch..... IOM1P-000  
Shaped Punch..... IOM1P-XXX



## #2 Punches

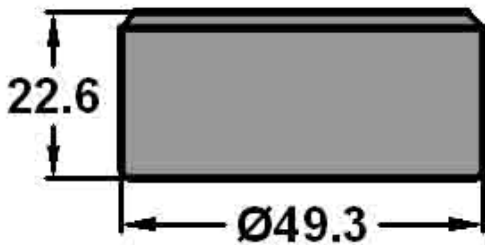
Round Punch..... IOM2P-000  
Shaped Punch..... IOM2P-XXX

# OMERA



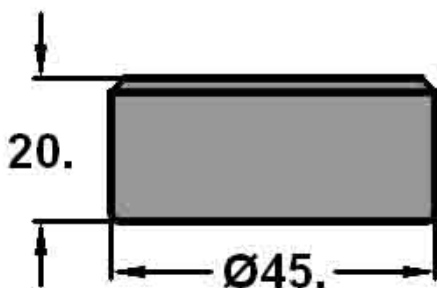
## #0 Dies

Round Die..... IOM0D-000  
Shaped Die..... IOM0D-XXX



## #3 Dies

Round Die..... IOM3D-000  
Shaped Die..... IOM3D-XXX



## #4 Dies

Round Die..... IOM4D-000  
Shaped Die..... IOM4D-XXX

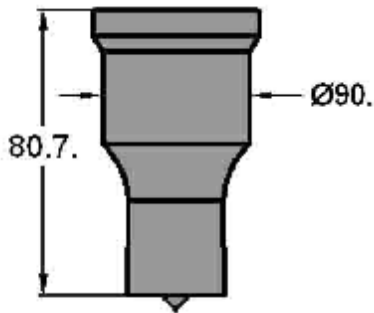
# PEDDINGHAUS

**PAGE.**

#11 PUNCHES .....	1
#2 PUNCHES .....	1
#3 PUNCHES .....	1
#4 PUNCHES .....	1
#5 PUNCHES .....	1
#55 PUNCHES .....	2
#6 PUNCHES .....	2
#7 PUNCHES .....	2
#2 DIES.....	3
#3 DIES.....	3
#4 DIES.....	3
#5 DIES.....	3
#57 DIES.....	4
#6 DIES.....	4
#20 DIES.....	4

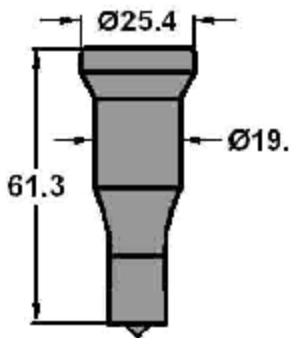


# PEDDINGHAUS



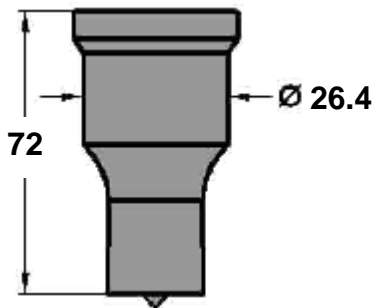
## #11 Punches

Round Punch.....IP11P-000  
Shaped Punch.....IP11P-XXX



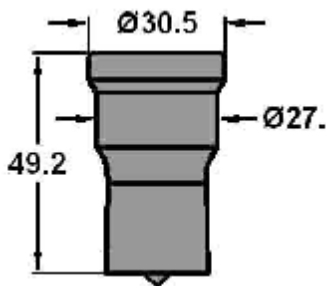
## #2 Punches

Round Punch.....IP2P-000  
Shaped Punch.....IP2P-XXX



## #3 Punches

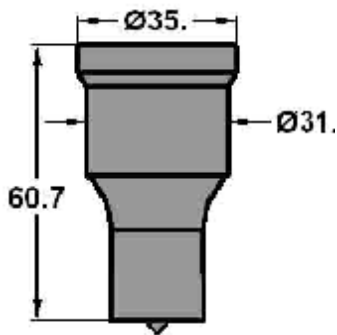
Round Punch.....IP3P-000  
Shaped Punch.....IP3P-XXX



## #4 Punches

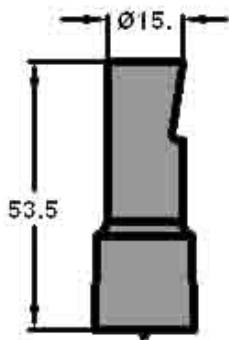
Round Punch.....IP4P-000  
Shaped Punch.....IP4P-XXX

# PEDDINGHAUS



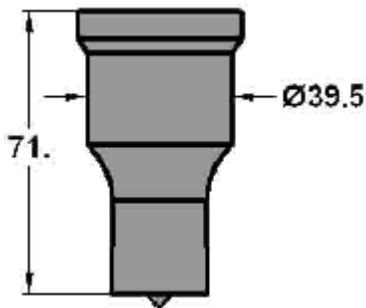
## #5 Punches

Round Punch..... IP5P-000  
Shaped Punch..... IP5P-XXX



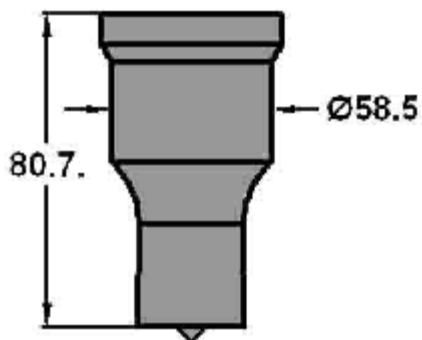
## #55 Punches

Round Punch..... IP55P-000  
Shaped Punch..... IP55P-XXX



## #6 Punches

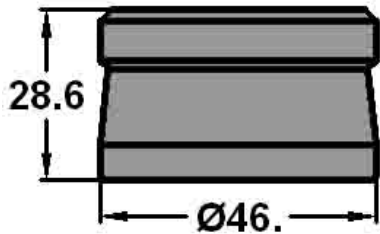
Round Punch..... IP6P-000  
Shaped Punch..... IP6P-XXX



## #7 Punches

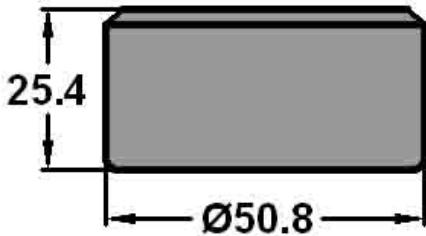
Round Punch..... IP7P-000  
Shaped Punch..... IP7P-XXX

# PEDDINGHAUS



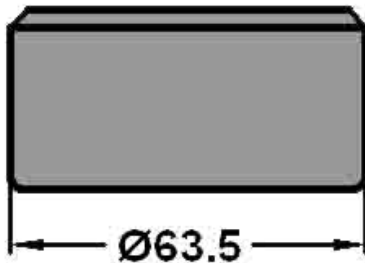
## #2 Die

Round Die..... IP2D-000  
Shaped Die..... IP2D-XXX



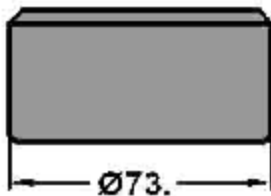
## #3 Die

Round Die..... IP3D-000  
Shaped Die..... IP3D-XXX



## #4 Die

Round Die..... IP4D-000  
Shaped Die..... IP4D-XXX

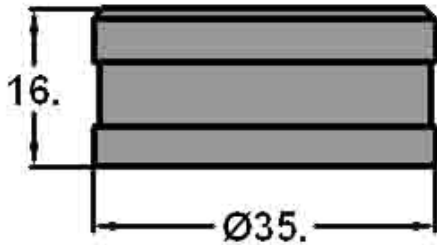


## #5 Die

Round Die..... IP5D-000  
Shaped Die..... IP5D-XXX

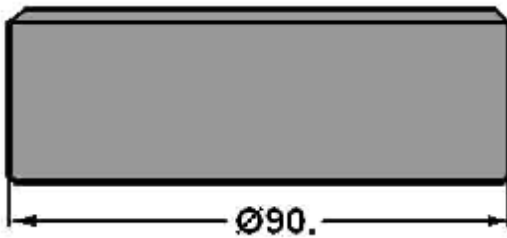


# PEDDINGHAUS



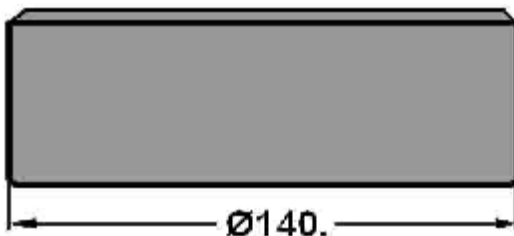
## #57 Die

Round Die.....IP57D-000  
Shaped Die.....IP57D-XXX



## #6 Die

Round Die.....IP6D-000  
Shaped Die.....IP6D-XXX



## #20 Die

Round Die.....IP20D-000  
Shaped Die.....IP20D-XXX

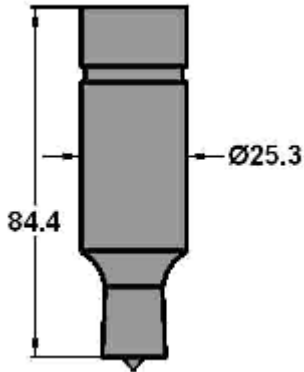
# SCOTCHMAN

**PAGE.**

#20 PUNCHES .....	1
#20 DIES.....	1
#40 PUNCHES .....	1
#40 DIES.....	1
#45 PUNCHES .....	2
#86 DIES.....	2
#90 PUNCHES .....	2
#91 DIES.....	2
#90 DIE BLOCK.....	3

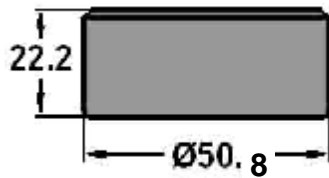


# SCOTCHMAN



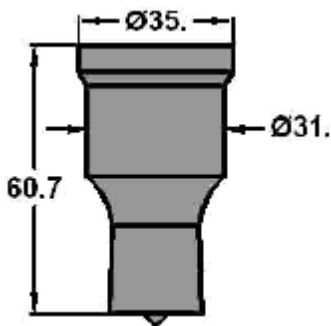
## #20 Punch

Round Punch.....IS20P-000  
Shaped Punch.....IS20P-XXX



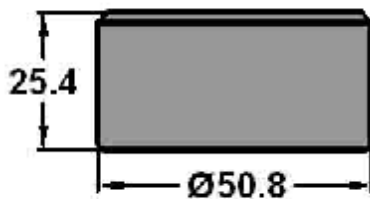
## #20 Die

Round Die.....IS20D-000  
Shaped Die.....IS20D-XXX



## #40 Punch

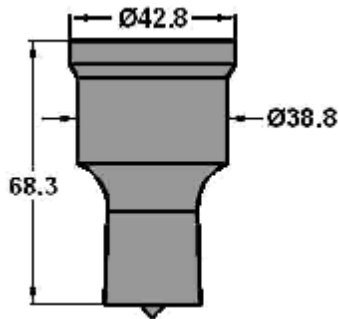
Round Punch.....IS40P-000  
Shaped Punch.....IS40P-XXX



## #40 Die

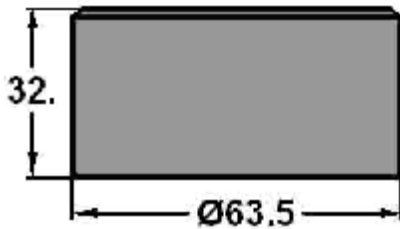
Round Die.....IS40D-000  
Shaped Die.....IS40D-XXX

# SCOTCHMAN



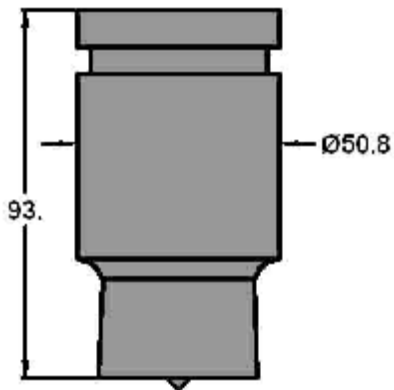
## #45 Punch

Round Punch.....IS45P-000  
Shaped Punch.....IS45P-XXX



## #86 Die

Round Die.....IS86D-000  
Shaped Die.....IS86D-XXX



## #90 Punch

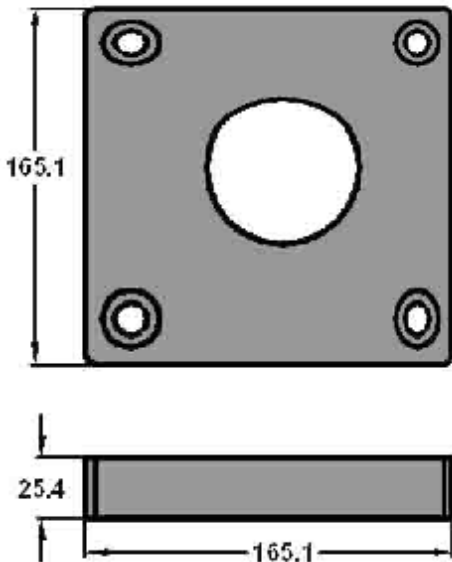
Round Punch.....IS90P-000  
Shaped Punch.....IS90P-XXX



## #91 Die

Round Die.....IS91D-000  
Shaped Die.....IS91D-XXX

# SCOTCHMAN



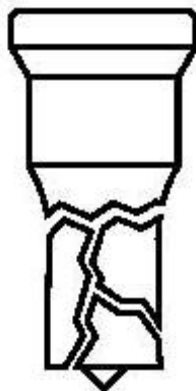
**#90 Die Block**

Round Die..... IS90D-000  
Shaped Die..... IS90D-XXX

## Handy Hints for: Compressive Failure

Suggestion:

**Call F.M. Tool & Gauge for technical advice**



**“Compressive Failure” occurs when the compressive strength of the punch has been exceeded and the entire working end shatters.**

**This is caused by attempting to punch extremely hard or thick materials, or complete misalignment of the punch and die**

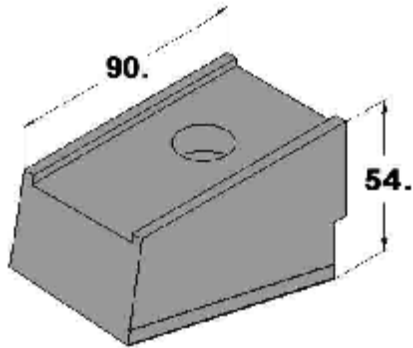
# SUNRISE

*PAGE.*

NOTCHING BLADES..... 1

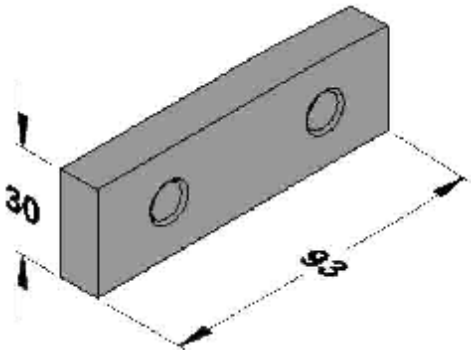


# SUNRISE



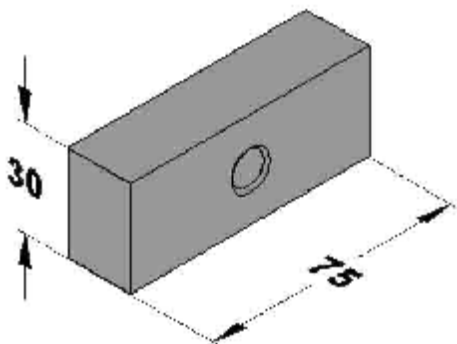
## Notching Block

Notching Blade ..... ISB-1306001



## Notching Blade

Side Blade ( 2 of ) ..... ISB-1306002



## Notching Blade

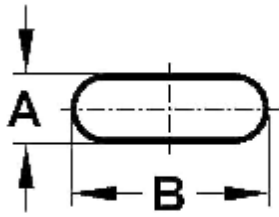
End Blade ..... ISB-1306003



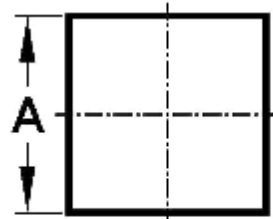
# F.M. Tool & Gauge Pty. Ltd.

## Category 'A' Tool Selection Guide

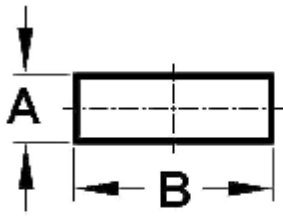
Other shapes available on request



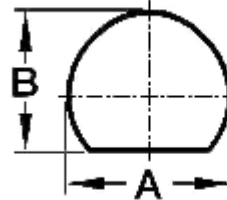
**-100**



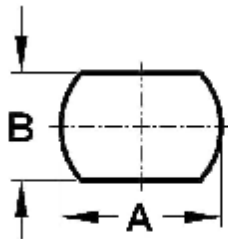
**-200**



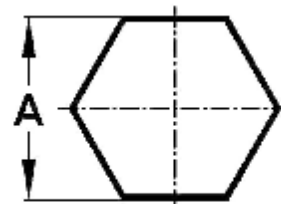
**-300**



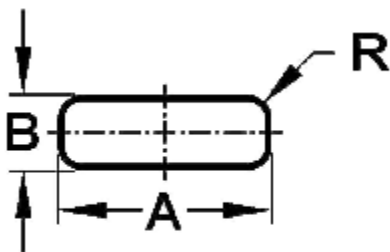
**-400**



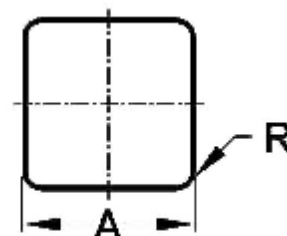
**-500**



**-650**



**-850**



**-860**