

# F.M. Tool & Gauge P/L

100% Australian Made range of Punch & Shear Tooling  
To suit all styles of Cropper Machines

Redden Drive, Cudlee Creek, South Australia, 5232

Tel: (08) 83892272 Fax: (08) 8389 2309 or (08) 8389 2478

Email - [sales@fmtool.com.au](mailto:sales@fmtool.com.au) Web - [www.fmtool.com.au](http://www.fmtool.com.au)

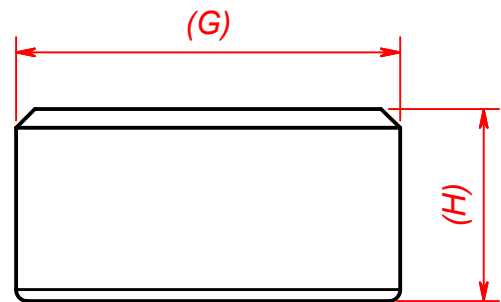
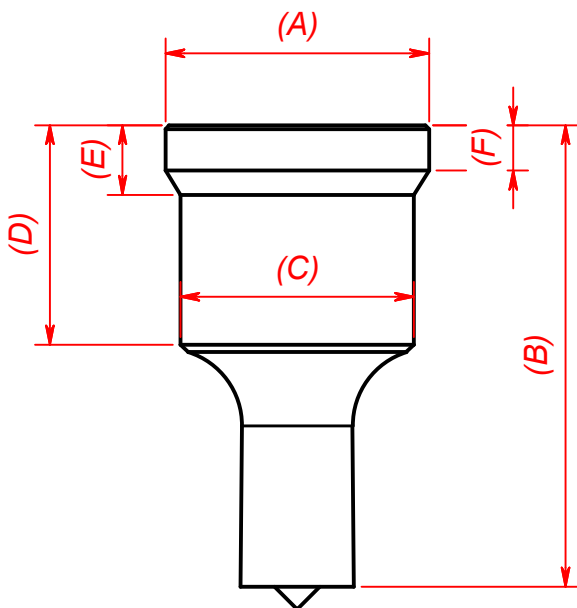
Company Name: .....

Contact: .....

Machine: .....

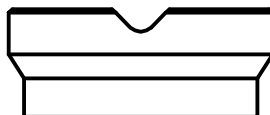
Phone: ..... Fax: .....

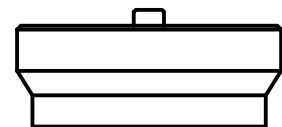
Please Fill Out Dimensions of Tools Required



(A) ..... (B) .....  
 (C) ..... (D) .....  
 (E) ..... (F) .....  
 (G) ..... (H) .....








If you are using shape punches tick the location key that you require..\_



**F.M. Tool & Gauge P/L**  
 Australian Agents for an extensive range of  
 Scotchman Ironworker Machines

