

F.M. Tool & Gauge P/L

Supply a huge range of Punch & Shear Tooling To suit all styles of Cropper Machines

Jaensch Road, Callington, South Australia, 5254

Tel: (08) 83892272

MOB: 0448 310 360

Email - sales@fmtool.com.au Web - www.fmtool.com.au

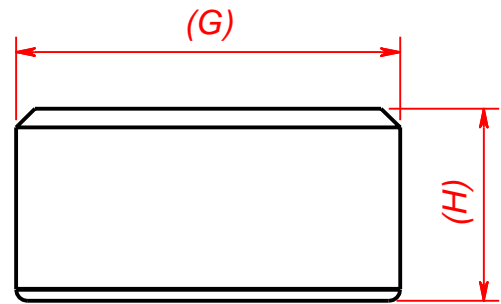
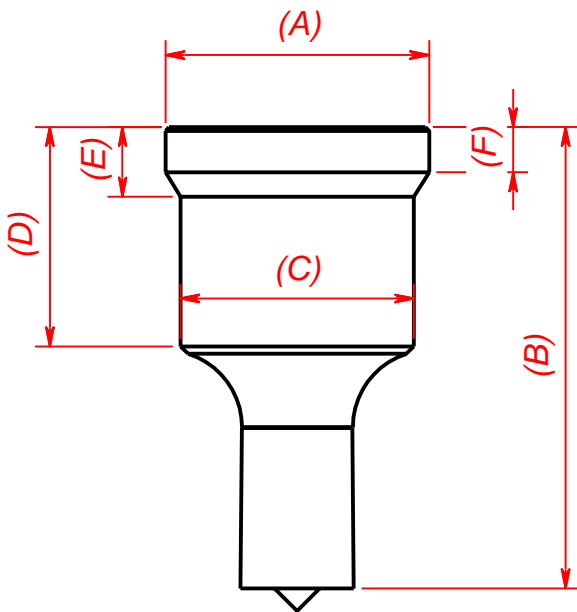
Company Name:

Contact:

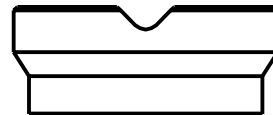
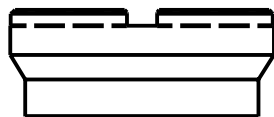
Machine:

Phone: **Fax:**

Please Fill Out Dimensions of Tools Required



(A) (B)
 (C) (D)
 (E) (F)
 (G) (H)



If you are using shape punches tick the location key that you require.

F.M. Tool & Gauge P/L
 Australian Agents for an extensive range of
 Scotchman Ironworker Machines

