

"CONTENTS"

	SECTION.
FICEP	A
GEKA.....	B
KINGSLAND (May use Mubea style tooling)	C
MARKSMAN	D
MUBEA	E
OMERA.....	F
PEDDINGHAUS	G
SCOTCHMAN.....	H
SUNRISE (Will use Geka or Mubea style tooling. Please check)	I
SHAPE SELECTION GUIDE	J

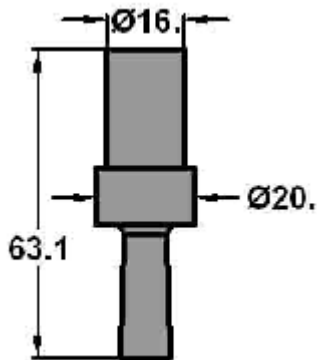


FICER

	<i>PAGE.</i>
#1 TOOLING	1
#10 TOOLING	1
#13 TOOLING	2
#14 TOOLING	2
#16 TOOLING	3

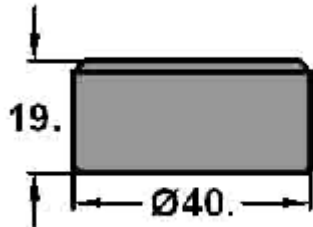


FICEP

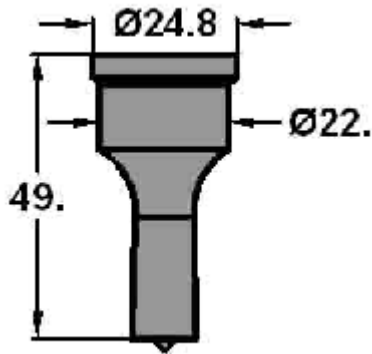


#1 Tooling

Round Punch..... IF1P-000
 Shaped Punch..... IF1P-XXX



Round Die IF1D-000
 Shaped Die..... IF1D-XXX



#10 Tooling

Round Punch..... IF10P-000
 Shaped Punch..... IF10P-XXX



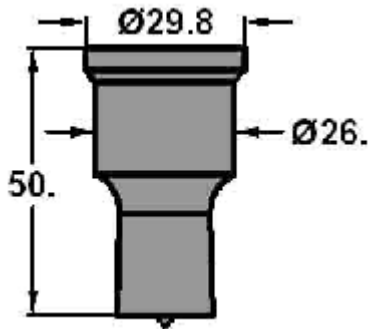
Round Die IF10D-000
 Shaped Die..... IF10D-XXX

For PRICING and extended description of the tooling on this page log on to our web site at

www.fmtool.com.au

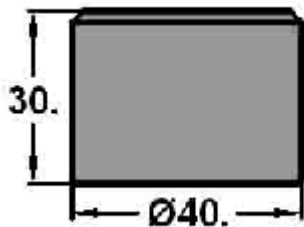
**Select TOOLING; then Product Group CROPPER; then sub group FICEP
 Pricing and description for all shapes, rounds and accessories for Cropper Tooling
 is available at this site**

FICEP

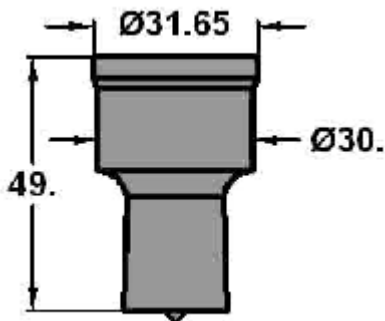


#13 Tooling

Round Punch.....IF13P-000
 Shaped Punch.....IF13P-XXX

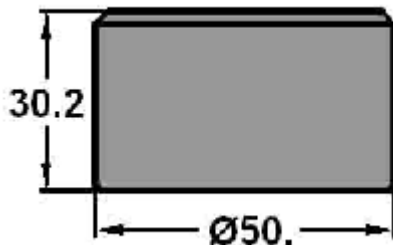


Round Die.....IF13D-000
 Shaped Die.....IF13D-XXX



#14 Tooling

Round Punch.....IF14P-000
 Shaped Punch.....IF14P-XXX

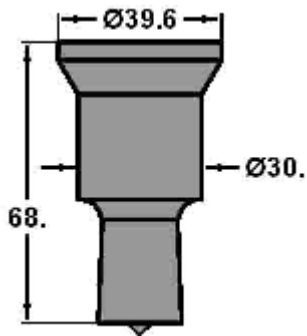


Round Die.....IF14D-000
 Shaped Die.....IF14D-XXX

For PRICING and extended description of the tooling on this page log on to our web site at www.fmtool.com.au

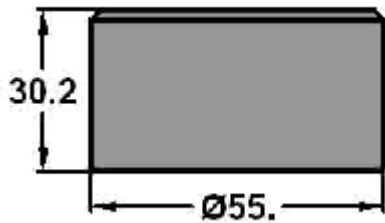
**Select TOOLING; then Product Group CROPPER; then sub group FICEP
 Pricing and description for all shapes, rounds and accessories for Cropper Tooling
 is available at this site**

FICEP



#16 Tooling

Round Punch..... IF16P-000
Shaped Punch..... IF16P-XXX



Round Die..... IF16D-000
Shaped Die..... IF16D-XXX

***For PRICING and extended description of the tooling on this page log on to our web site at
www.fmtool.com.au***

***Select TOOLING; then Product Group CROPPER; then sub group FICEP
Pricing and description for all shapes, rounds and accessories for Cropper Tooling
is available at this site***

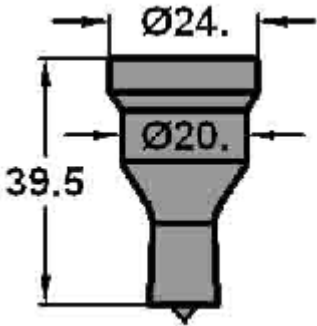
GEKA

PAGE.

#1 PUNCHES	1
#2 PUNCHES	1
#5-15 PUNCHES	1
#5-27 PUNCHES	1
#6 PUNCHES	2
#8-19 PUNCHES	2
#8-31 PUNCHES	2
#8-40 PUNCHES	2
#10-26 PUNCHES	3
#10-40 PUNCHES	3
#11 PUNCHES	3
#11A PUNCHES	3
#12 PUNCHES	4
#12A PUNCHES	4
#13 PUNCHES	4
#13A PUNCHES	4
#1 DIE	5
#1A DIE	5
#2 DIE	5
#5 DIE	5
#6 DIE	6
#8 DIE	6
#10 DIE	6
#11 DIE	6
#12 DIE	7
#13 DIE	7

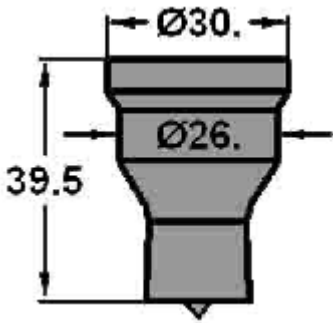


GEKA



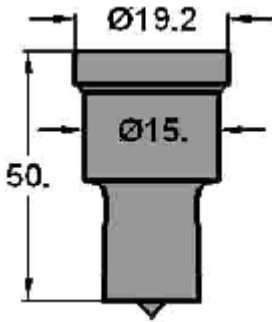
#1 Punches

Round Punch.....IG1P-000
 Shaped Punch.....IG1P-XXX



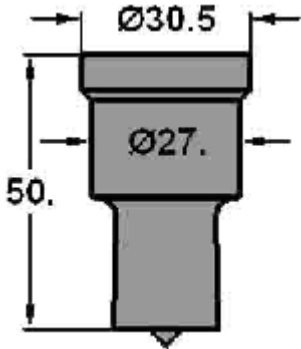
#2 Punches

Round Punch.....IG2P-000
 Shaped Punch.....IG2P-XXX



#5-15 Punches

Round Punch.....IG5-15P-000
 Shaped Punch.....IG5-15P-XXX



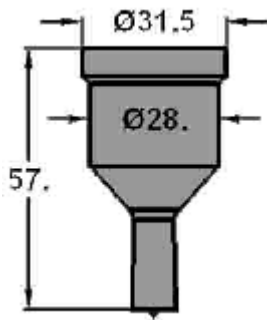
#5-27 Punches

Round Punch.....IG5-27P-000
 Shaped Punch.....IG5-27P-XXX

For PRICING and extended description of the tooling on this page log on to our web site at www.fmtool.com.au

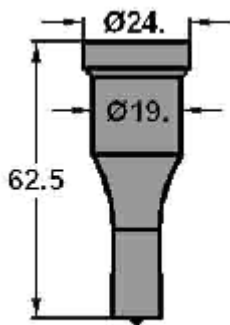
**Select TOOLING; then Product Group CROPPER; then sub group GEKA
 Pricing and description for all shapes, rounds and accessories for Cropper Tooling
 is available at this site**

GEKA



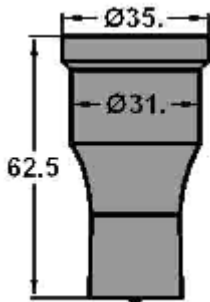
#6 Punches

Round Punch.....IG6P-000
Shaped Punch.....IG6P-XXX



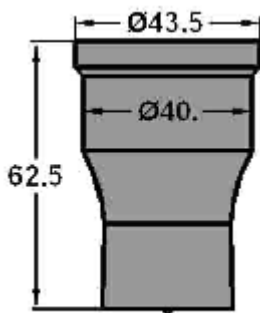
#8-19 Punches

Round Punch OnlyIG8-19P-000



#8-31 Punches

Round Punch.....IG8-31P-000
Shaped Punch.....IG8-31P-XXX



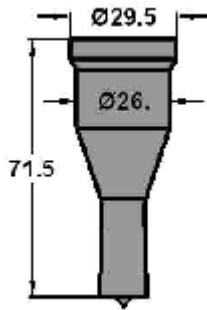
#8-40 Punches

Round Punch.....IG8-40P-000
Shaped Punch.....IG8-40P-XXX

***For PRICING and extended description of the tooling on this page log on to our web site at
www.fmtool.com.au***

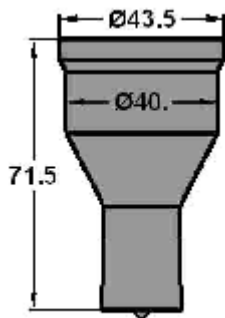
***Select TOOLING; then Product Group CROPPER; then sub group GEKA
Pricing and description for all shapes, rounds and accessories for Cropper Tooling
is available at this site***

GEKA



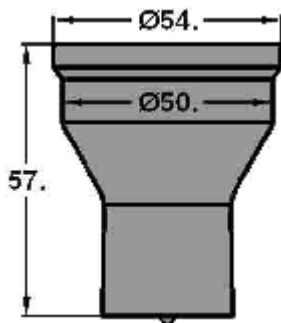
#10-26 Punches

Round Punch.....IG10-26P-000
Shaped Punch.....IG10-26P-XXX



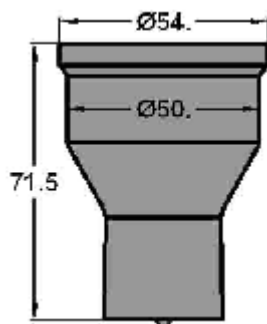
#10-40 Punches

Round Punch.....IG10-40P-000
Shaped Punch.....IG10-40P-XXX



#11 Punches

Round Punch.....IG11P-000
Shaped Punch.....IG11P-XXX



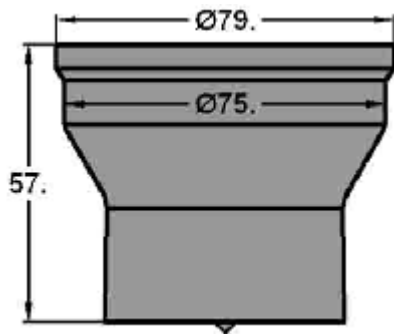
#11A Punches

Round Punch.....IG11AP-000
Shaped Punch.....IG11AP-XXX

***For PRICING and extended description of the tooling on this page log on to our web site at
www.fmtool.com.au***

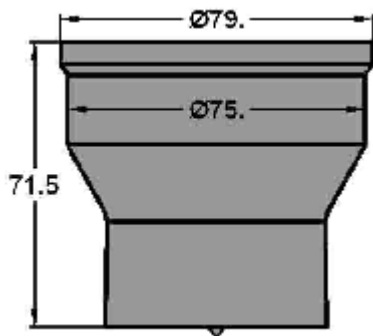
***Select TOOLING; then Product Group CROPPER; then sub group GEKA
Pricing and description for all shapes, rounds and accessories for Cropper Tooling
is available at this site***

GEKA



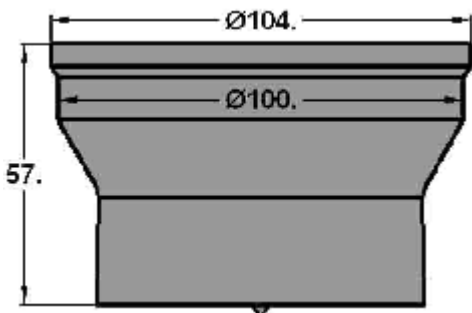
#12 Punches

Round Punch.....IG12P-000
Shaped Punch.....IG12P-XXX



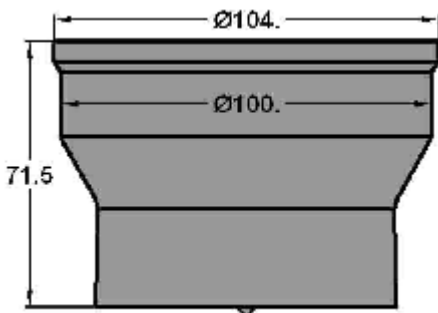
#12A Punches

Round Punch.....IG12AP-000
Shaped Punch.....IG12AP-XXX



#13 Punches

Round Punch.....IG13P-000
Shaped Punch.....IG13P-XXX



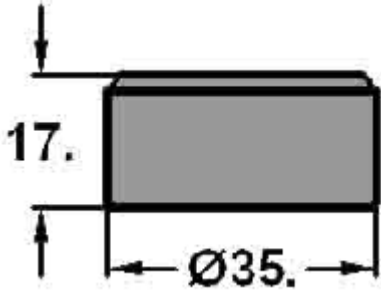
#13A Punches

Round Punch.....IG13AP-000
Shaped Punch.....IG13AP-XXX

***For PRICING and extended description of the tooling on this page log on to our web site at
www.fmtool.com.au***

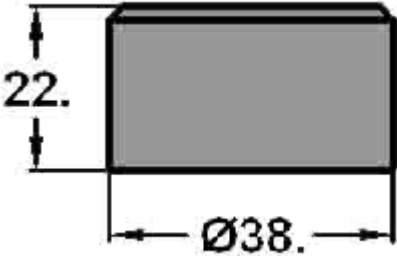
***Select TOOLING; then Product Group CROPPER; then sub group GEKA
Pricing and description for all shapes, rounds and accessories for Cropper Tooling
is available at this site***

GEKA



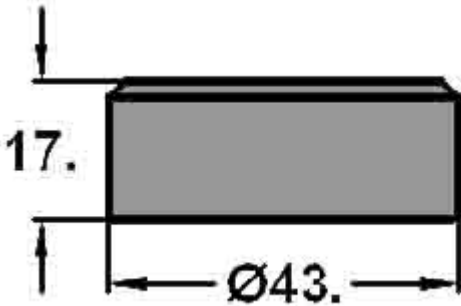
#1 Die

Round Die.....IG1D-000
 Shaped Die.....IG1D-XXX



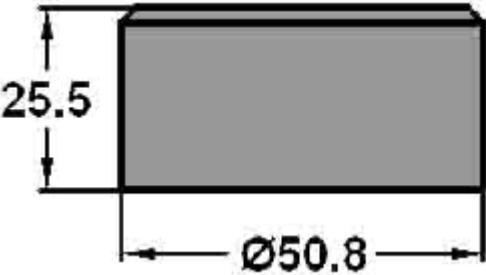
#1A Die

Round Die.....IG1AD-000
 Shaped Die.....IG1AD-XXX



#2 Die

Round Die.....IG2D-000
 Shaped Die.....IG2D-XXX



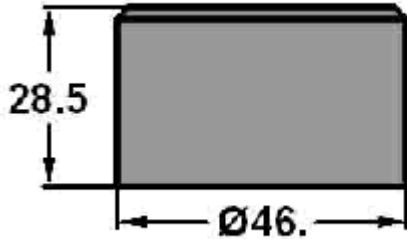
#5 Die

Round Die.....IG5D-000
 Shaped Die.....IG5D-XXX

For PRICING and extended description of the tooling on this page log on to our web site at www.fmtool.com.au

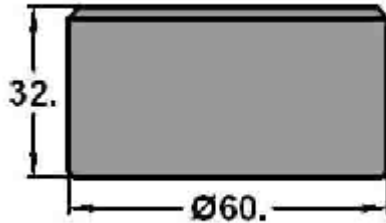
**Select TOOLING; then Product Group CROPPER; then sub group GEKA
 Pricing and description for all shapes, rounds and accessories for Cropper Tooling
 is available at this site**

GEKA



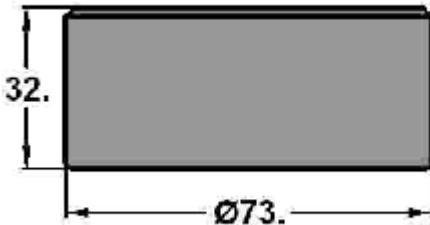
#6 Die

Round Die.....IG6D-000
Shaped Die.....IG6D-XXX



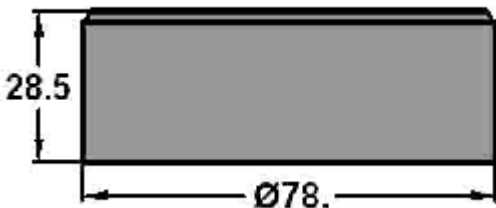
#8 Die

Round Die.....IG8D-000
Shaped Die.....IG8D-XXX



#10 Die

Round Die.....IG10D-000
Shaped Die.....IG10D-XXX



#11 Die

Round Die.....IG11D-000
Shaped Die.....IG11D-XXX

**For PRICING and extended description of the tooling on this page log on to our web site at
www.fmtool.com.au**

**Select TOOLING; then Product Group CROPPER; then sub group GEKA
Pricing and description for all shapes, rounds and accessories for Cropper Tooling
is available at this site**

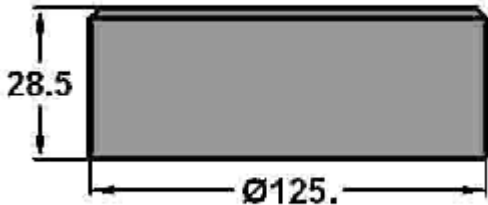
GEKA

#12 Die



Round Die.....IG12D-000
Shaped Die.....IG12D-XXX

#13 Die



Round Die.....IG13D-000
Shaped Die.....IG13D-XXX

***For PRICING and extended description of the tooling on this page log on to our web site at
www.fmtool.com.au***

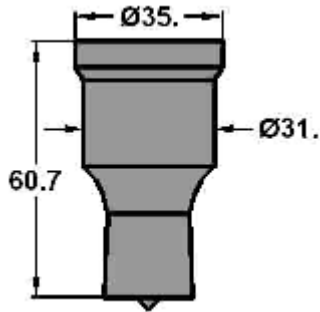
***Select TOOLING; then Product Group CROPPER; then sub group GEKA
Pricing and description for all shapes, rounds and accessories for Cropper Tooling
is available at this site***

KINGSLAND

	<i>PAGE.</i>
J14 TOOLING	1
J14 LONG SERIES TOOLING	1
J21 TOOLING	2
J25 TOOLING	2
J213 TOOLING	3
J253 TOOLING	3

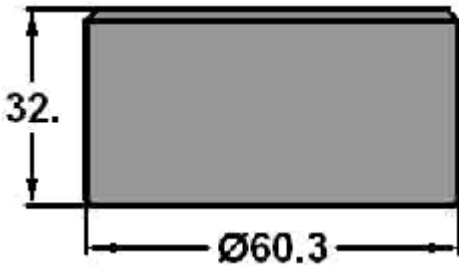


KINGSLAND

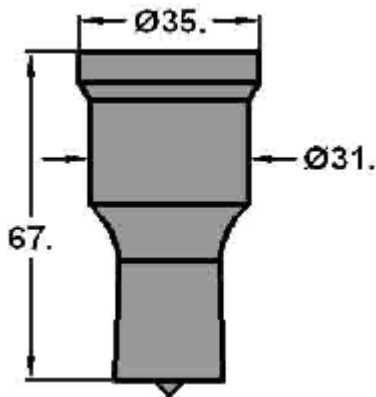


J14 Tooling

Round Punch.....IKJ14P-000
Shaped Punch.....IKJ14P-XXX



Round Die.....IKJ1D-000
Shaped Die.....IKJ1D-XXX



J 14 Long Series Tooling

Round Punch.....IKJ14PL-000
Shaped Punch.....IKJ14PL-XXX

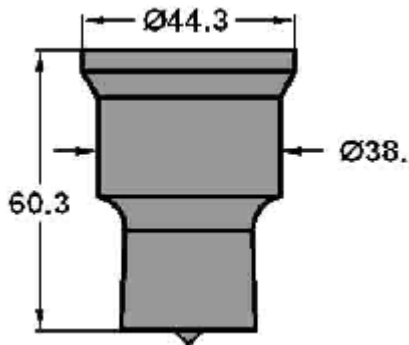


Round Die.....IKJ1D-000
Shaped Die.....IKJ1D-XXX

For PRICING and extended description of the tooling on this page log on to our web site at www.fmtool.com.au

**Select TOOLING; then Product Group CROPPER; then sub group KINGSLAND
Pricing and description for all shapes, rounds and accessories for Cropper Tooling
is available at this site**

KINGSLAND

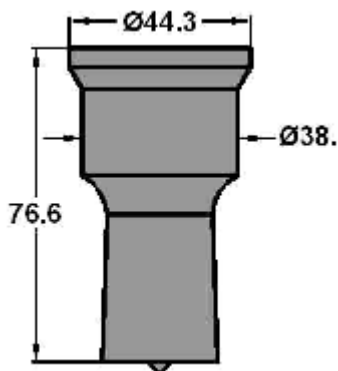


J21 Tooling

Round Punch.....IKJ21P-000
Shaped Punch.....IKJ21P-XXX

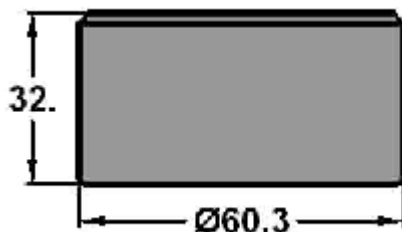


Round Die.....IKJ1D-000
Shaped Die.....IKJ1D-XXX



J25 Tooling

Round Punch.....IKJ25P-000
Shaped Punch.....IKJ25P-XXX

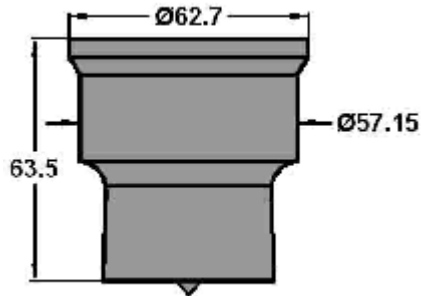


Round Die.....IKJ1D-000
Shaped Die.....IKJ1D-XXX

For PRICING and extended description of the tooling on this page log on to our web site at www.fmtool.com.au

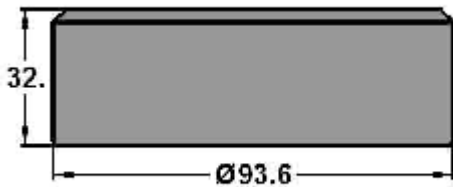
**Select TOOLING; then Product Group CROPPER; then sub group KINGSLAND
Pricing and description for all shapes, rounds and accessories for Cropper Tooling
is available at this site**

KINGSLAND

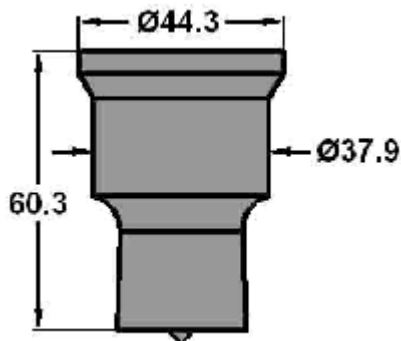


J213 Tooling

Round Punch.....IKJ213P-000
Shaped Punch.....IKJ213P-XXX

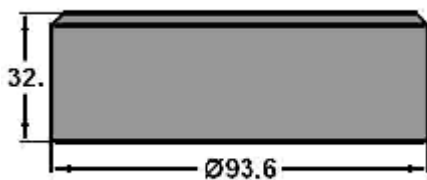


Round Die.....IKJ213D-000
Shaped Die.....IKJ213D-XXX



J253 Tooling

Round Punch.....IKJ253P-000
Shaped Punch.....IKJ253P-XXX



Round Die.....IKJ213D-000
Shaped Die.....IKJ213D-XXX

For PRICING and extended description of the tooling on this page log on to our web site at www.fmtool.com.au

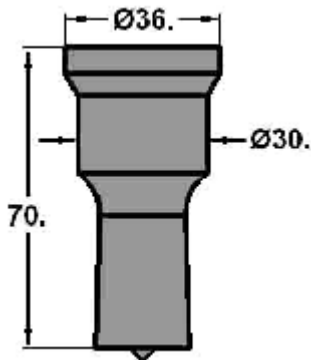
**Select TOOLING; then Product Group CROPPER; then sub group KINGSLAND
Pricing and description for all shapes, rounds and accessories for Cropper Tooling
is available at this site**

MARKSMAN

	<i>PAGE.</i>
#1 TOOLING	1
#2 TOOLING	1
#3 TOOLING	2
SERIES 454 SHEAR BLADES	2
SERIES 505 SHEAR BLADES	3
SERIES 75 SHEAR BLADES	3
SERIES 95 SHEAR BLADES	4



MARKSMAN

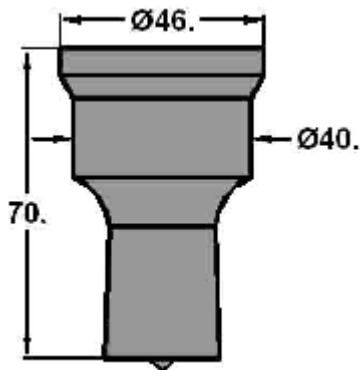


#1 Tooling

Round Punch.....IMK1P-000
 Shaped Punch.....IMK1P-XXX

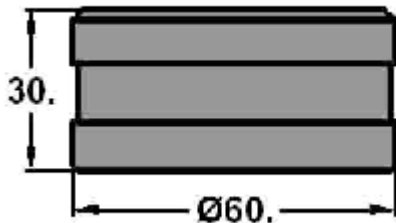


Round Die.....IMK1D-000
 Shaped Die.....IMK1D-XXX



#2 Tooling

Round Punch.....IMK2P-000
 Shaped Punch.....IMK2P-XXX

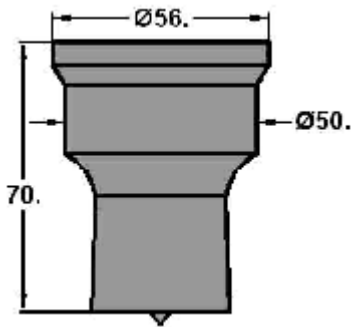


Round Die.....IMK1D-000
 Shaped Die.....IMK1D-XXX

For PRICING and extended description of the tooling on this page log on to our web site at www.fmtool.com.au

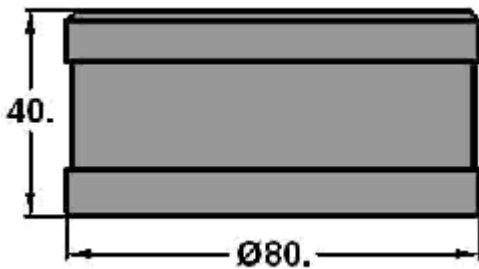
**Select TOOLING; then Product Group CROPPER; then sub group MARKSMAN
 Pricing and description for all shapes, rounds and accessories for Cropper Tooling
 is available at this site**

MARKSMAN

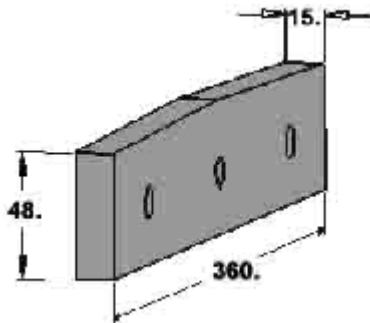


#3 Tooling

Round Punch.....IMK3P-000
 Shaped Punch.....IMK3P-XXX

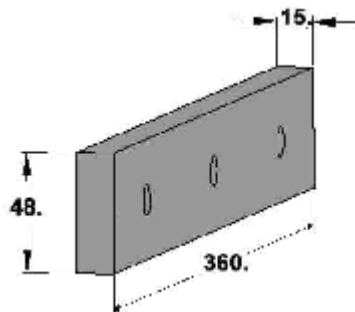


Round Die.....IMK3D-000
 Shaped Die.....IMK3D-XXX



SERIES 454 SHEAR BLADES

Upper Shear Blade (Moving)IMK454-4821

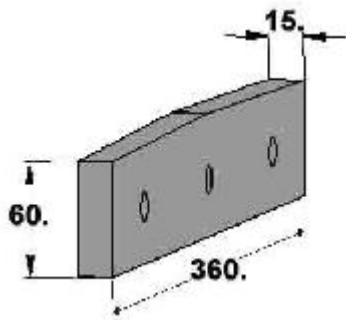


Lower Shear Blade (Fixed)IMK454-2821

For PRICING and extended description of the tooling on this page log on to our web site at www.fmtool.com.au

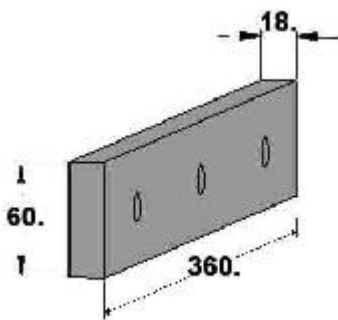
***Select TOOLING; then Product Group CROPPER; then sub group MARKSMAN
 Pricing and description for all shapes, rounds and accessories for Cropper Tooling
 is available at this site***

MARKSMAN

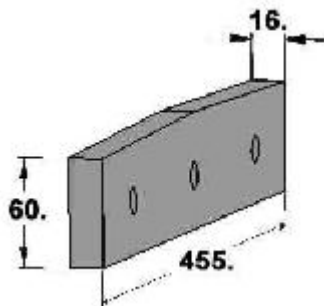


Series 505 Shear Blades

Upper Shear Blade (Moving) IMK505-4821

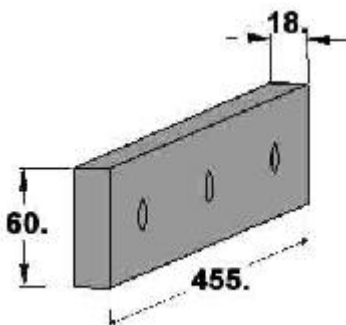


Lower Shear Blade (Fixed) IMK505-2821



SERIES 75 SHEAR BLADES

Upper Shear Blade (Moving) IMK75-4821

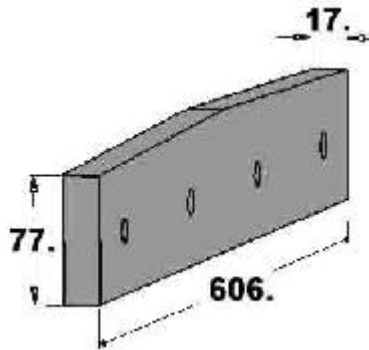


Lower Shear Blade (Fixed) IMK75-2821

For PRICING and extended description of the tooling on this page log on to our web site at www.fmtool.com.au

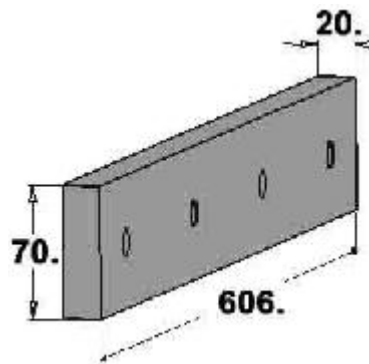
***Select TOOLING; then Product Group CROPPER; then sub group MARKSMAN
Pricing and description for all shapes, rounds and accessories for Cropper Tooling
is available at this site***

MARKSMAN



Series 95 Shear Blades

Upper Shear Blade (Moving) IMK95-4821



Lower Shear Blade (Fixed) IMK95-2821

***For PRICING and extended description of the tooling on this page log on to our web site at
www.fmtool.com.au***

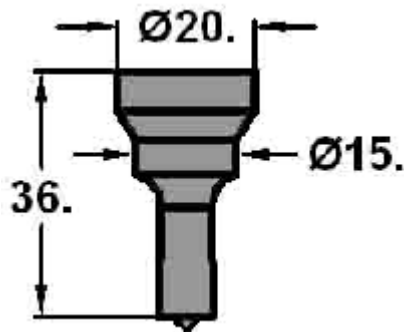
***Select TOOLING; then Product Group CROPPER; then sub group MARKSMAN
Pricing and description for all shapes, rounds and accessories for Cropper Tooling
is available at this site***

MUBEA

	<i>PAGE.</i>
#1 TOOLING	1
#2 TOOLING	1
#3 TOOLING	2
#4 TOOLING	2

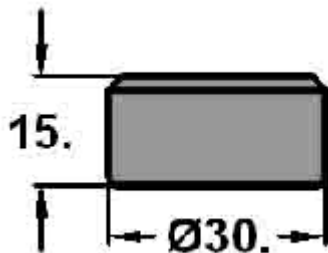


MUBEA

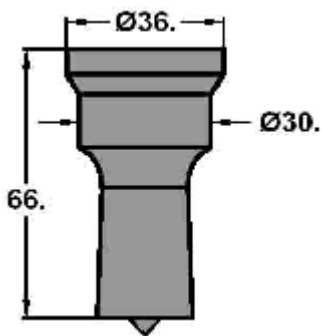


#1 Tooling

Round Punch.....IM1P-000
 Shaped Punch.....IM1P-XXX

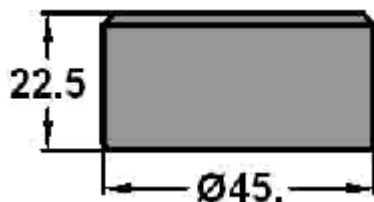


Round Die.....IM1D-000
 Shaped Die.....IM1D-XXX



#2 Tooling

Round Punch.....IM2P-000
 Shaped Punch.....IM2P-XXX

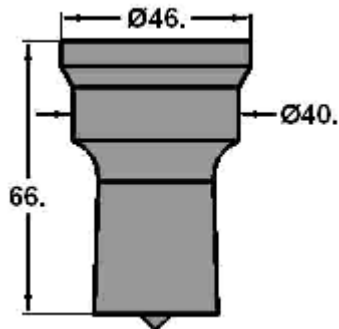


Round Die.....IM2D-000
 Shaped Die.....IM2D-XXX

For PRICING and extended description of the tooling on this page log on to our web site at www.fmtool.com.au

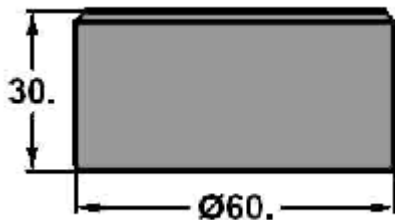
**Select TOOLING; then Product Group CROPPER; then sub group MUBEA
 Pricing and description for all shapes, rounds and accessories for Cropper Tooling
 is available at this site**

MUBEA

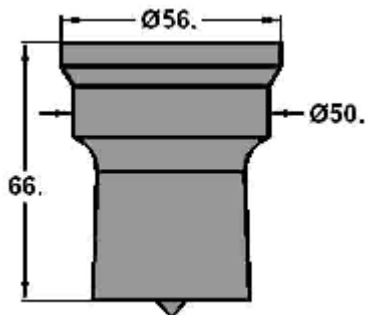


#3 Tooling

Round Punch..... IM3P-000
 Shaped Punch..... IM3P-XXX



Round Die..... IM3D-000
 Shaped Die..... IM3D-XXX



#4 Tooling

Round Punch..... IM4P-000
 Shaped Punch..... IM4P-XXX



Round Die..... IM4D-000
 Shaped Die..... IM4D-XXX

For PRICING and extended description of the tooling on this page log on to our web site at www.fmtool.com.au

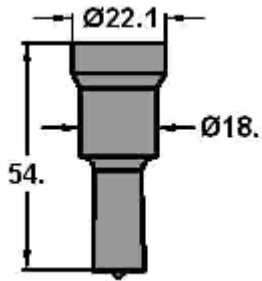
**Select TOOLING; then Product Group CROPPER; then sub group MUBEA
 Pricing and description for all shapes, rounds and accessories for Cropper Tooling
 is available at this site**

OMERA

	<i>PAGE.</i>
#0 PUNCHES	1
#1 PUNCHES	1
#2PUNCHES	1
#0 DIES.....	2
#3 DIES.....	2
#4 DIES.....	2

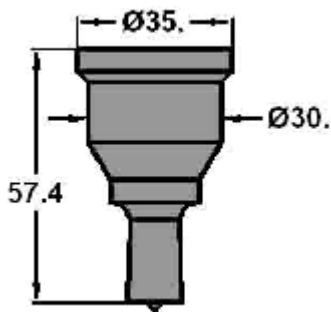


OMERA



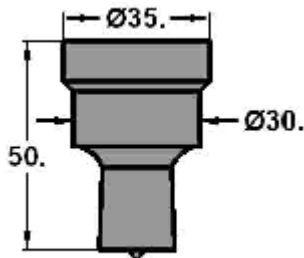
#0 Punches

Round Punch..... IOM0P-000
Shaped Punch..... IOM0P-XXX



#1 Punches

Round Punch..... IOM1P-000
Shaped Punch..... IOM1P-XXX



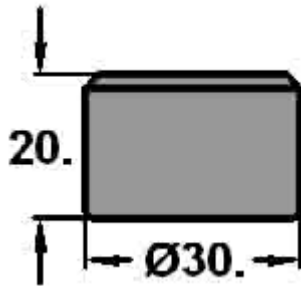
#2 Punches

Round Punch..... IOM2P-000
Shaped Punch..... IOM2P-XXX

***For PRICING and extended description of the tooling on this page log on to our web site at
www.fmtool.com.au***

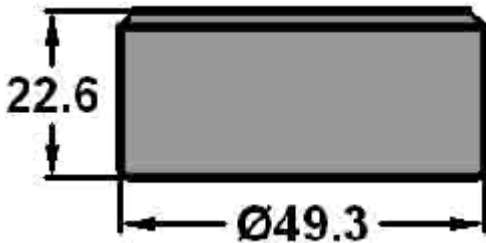
***Select TOOLING; then Product Group CROPPER; then sub group OMER
Pricing and description for all shapes, rounds and accessories for Cropper Tooling
is available at this site***

OMERA



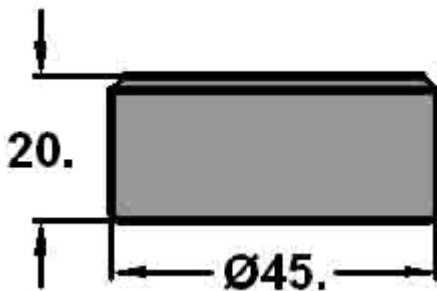
#0 Dies

Round Punch..... IOM0D-000
Shaped Punch..... IOM0D-XXX



#3 Dies

Round Die..... IOM3D-000
Shaped Die..... IOM3D-XXX



#4 Dies

Round Die..... IOM4D-000
Shaped Die..... IOM4D-XXX

***For PRICING and extended description of the tooling on this page log on to our web site at
www.fmtool.com.au***

***Select TOOLING; then Product Group CROPPER; then sub group OMERA
Pricing and description for all shapes, rounds and accessories for Cropper Tooling
is available at this site***

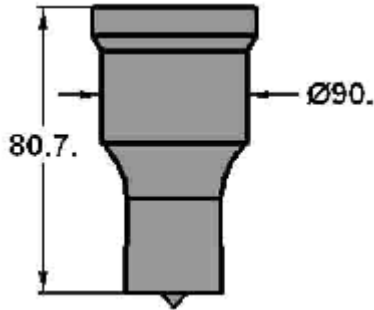
PEDDINGHAUS

PAGE.

#11 PUNCHES	1
#2 PUNCHES	1
#4 PUNCHES	1
#5 PUNCHES	1
#55 PUNCHES	2
#6 PUNCHES	2
#7 PUNCHES	2
#2 DIES.....	3
#3 DIES.....	3
#4 DIES.....	3
#5 DIES.....	3
#57 DIES.....	4
#6 DIES.....	4
#20 DIES.....	4

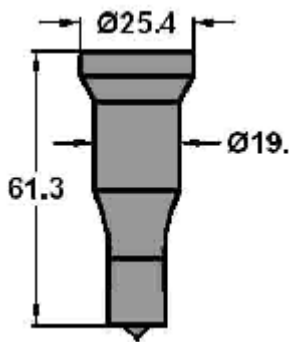


PEDDINGHAUS



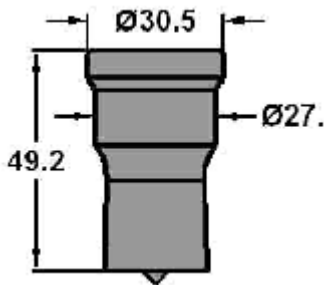
#11 Punches

Round Punch.....IP11P-000
Shaped Punch.....IP11P-XXX



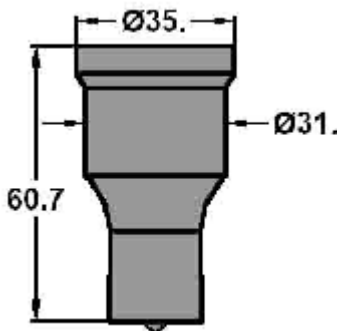
#2 Punches

Round Punch.....IP2P-000
Shaped Punch.....IP2P-XXX



#4 Punches

Round Punch.....IP4P-000
Shaped Punch.....IP4P-XXX



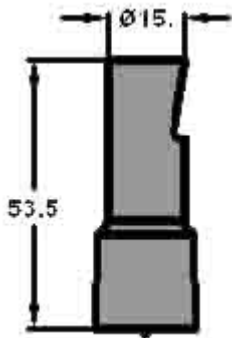
#5 Punches

Round Punch.....IP5P-000
Shaped Punch.....IP5P-XXX

***For PRICING and extended description of the tooling on this page log on to our web site at
www.fmtool.com.au***

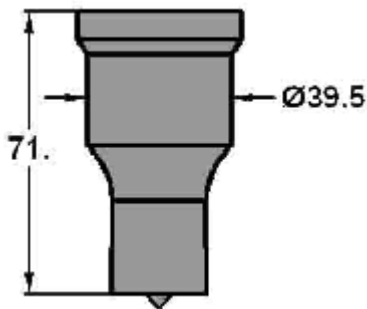
***Select TOOLING; then Product Group CROPPER; then sub group PEDDINGHAUS
Pricing and description for all shapes, rounds and accessories for Cropper Tooling
is available at this site***

PEDDINGHAUS



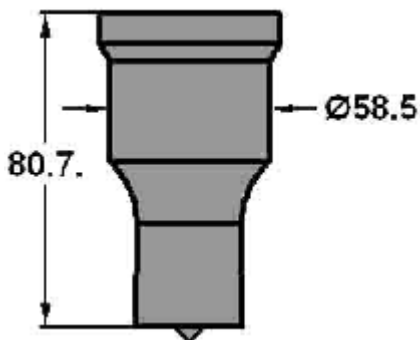
#55 Punches

Round Punch..... IP55P-000
Shaped Punch..... IP55P-XXX



#6 Punches

Round Punch..... IP6P-000
Shaped Punch..... IP6P-XXX



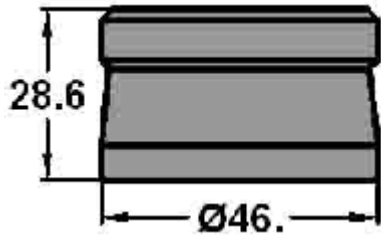
#7 Punches

Round Punch..... IP7P-000
Shaped Punch..... IP7P-XXX

*For PRICING and extended description of the tooling on this page log on to our web site at
www.fmtool.com.au*

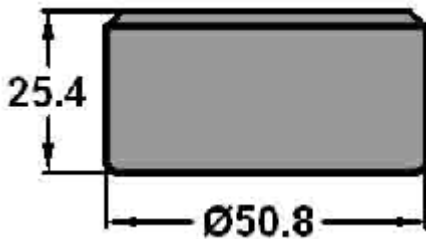
*Select TOOLING; then Product Group CROPPER; then sub group PEDDINGHAUS
Pricing and description for all shapes, rounds and accessories for Cropper Tooling
is available at this site*

PEDDINGHAUS



#2 Die

Round Die..... IP2D-000
Shaped Die..... IP2D-XXX



#3 Die

Round Die..... IP3D-000
Shaped Die..... IP3D-XXX



#4 Die

Round Die..... IP4D-000
Shaped Die..... IP4D-XXX



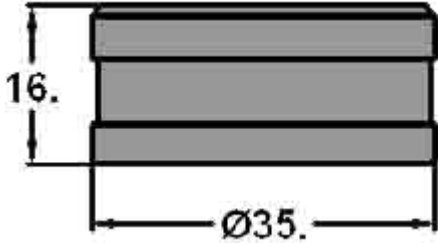
#5 Die

Round Die..... IP5D-000
Shaped Die..... IP5D-XXX

***For PRICING and extended description of the tooling on this page log on to our web site at
www.fmtool.com.au***

***Select TOOLING; then Product Group CROPPER; then sub group PEDDINGHAUS
Pricing and description for all shapes, rounds and accessories for Cropper Tooling
is available at this site***

PEDDINGHAUS



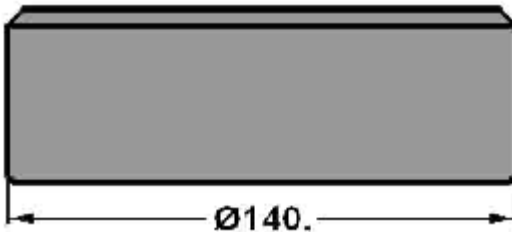
#57 Die

Round Die..... IP57D-000
Shaped Die..... IP57D-XXX



#6 Die

Round Die..... IP6D-000
Shaped Die..... IP6D-XXX



#20 Die

Round Die..... IP20D-000
Shaped Die..... IP20D-XXX

***For PRICING and extended description of the tooling on this page log on to our web site at
www.fmtool.com.au***

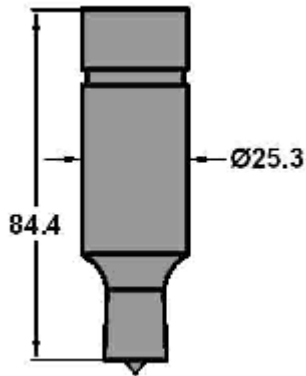
***Select TOOLING; then Product Group CROPPER; then sub group PEDDINGHAUS
Pricing and description for all shapes, rounds and accessories for Cropper Tooling
is available at this site***

SCOTCHMAN

	<i>PAGE.</i>
#20 PUNCHES	1
#20 DIES.....	1
#40 PUNCHES	1
#40 DIES.....	1
#45 PUNCHES	2
#86 DIES.....	2
#90 PUNCHES	2
#91 DIES.....	2
#90 DIE BLOCK.....	3

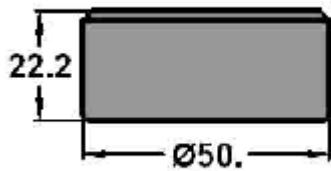


SCOTCHMAN



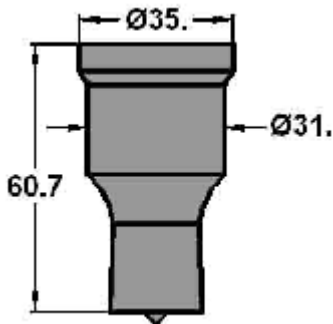
#20 Punch

Round Punch.....IS20P-000
 Shaped Punch.....IS20P-XXX



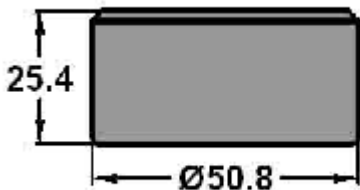
#20 Die

Round Die.....IS20D-000
 Shaped Die.....IS20D-XXX



#40 Punch

Round Punch.....IS40P-000
 Shaped Punch.....IS40P-XXX



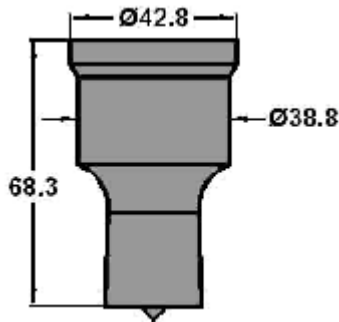
#40 Die

Round Die.....IS40D-000
 Shaped Die.....IS40D-XXX

***For PRICING and extended description of the tooling on this page log on to our web site at
www.fmtool.com.au***

***Select TOOLING; then Product Group CROPPER; then sub group SCOTCHMAN
 Pricing and description for all shapes, rounds and accessories for Cropper Tooling
 is available at this site***

SCOTCHMAN



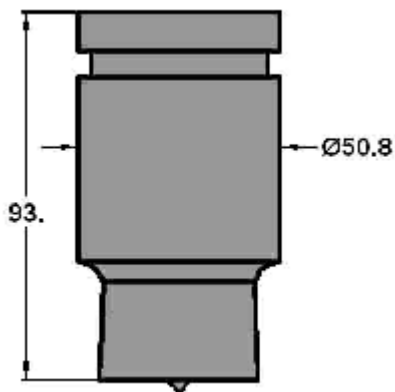
#45 Punch

Round Punch.....IS45P-000
 Shaped Punch.....IS45P-XXX



#86 Die

Round Die.....IS86D-000
 Shaped Die.....IS86D-XXX



#90 Punch

Round Punch.....IS90P-000
 Shaped Punch.....IS90P-XXX



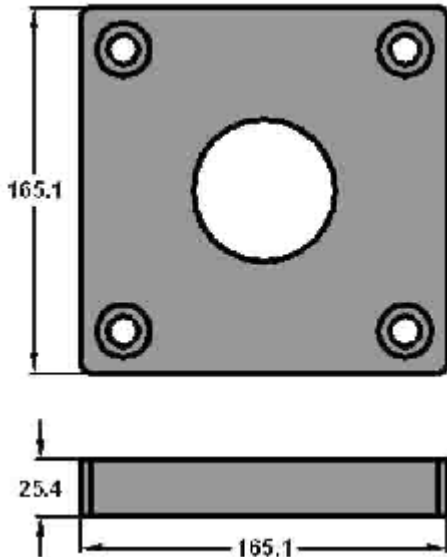
#91 Die

Round Die.....IS91D-000
 Shaped Die.....IS91D-XXX

For PRICING and extended description of the tooling on this page log on to our web site at www.fmtool.com.au

***Select TOOLING; then Product Group CROPPER; then sub group SCOTCHMAN
 Pricing and description for all shapes, rounds and accessories for Cropper Tooling
 is available at this site***

SCOTCHMAN



#90 Die Block

Round Die..... IS90D-000
Shaped Die..... IS90D-XXX

For PRICING and extended description of the tooling on this page log on to our web site at www.fmtool.com.au

*Select TOOLING; then Product Group CROPPER; then sub group SCOTCHMAN
Pricing and description for all shapes, rounds and accessories for Cropper Tooling
is available at this site*

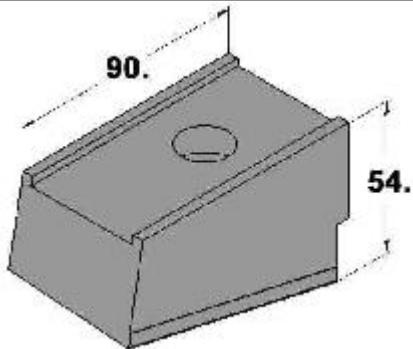
SUNRISE

PAGE.

NOTCHING BLADES..... 1

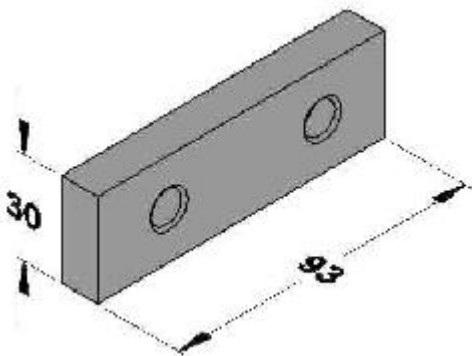


SUNRISE



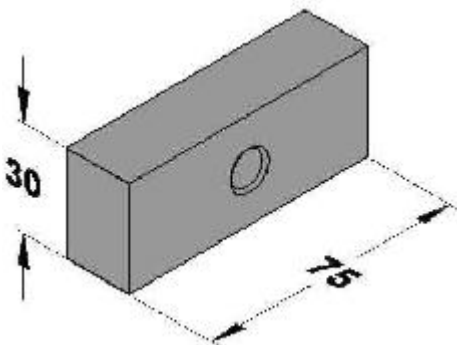
Notching Block

Notching Blade ISB-1306001



Notching Blade

Side Blade (2 of) ISB-1306002



Notching Blade

End Blade ISB-1306003

***For PRICING and extended description of the tooling on this page log on to our web site at
www.fmtool.com.au***

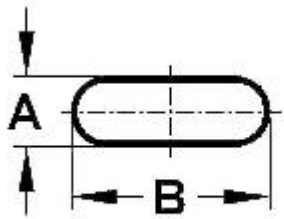
***Select TOOLING; then Product Group CROPPER; then sub group SUNRISE
Pricing and description for all shapes, rounds and accessories for Cropper Tooling
is available at this site***



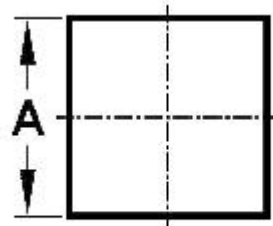
F.M. Tool & Gauge Pty. Ltd.

Category 'A' Tool Selection Guide

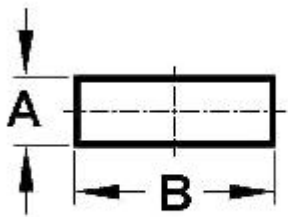
Other shapes available on request



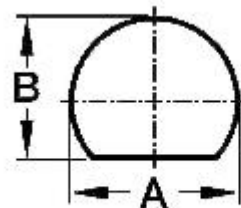
-100



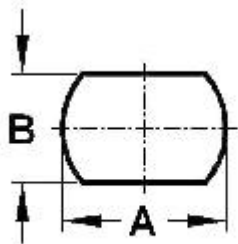
-200



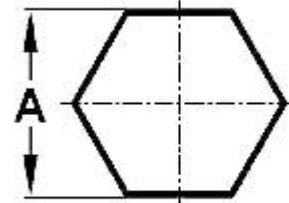
-300



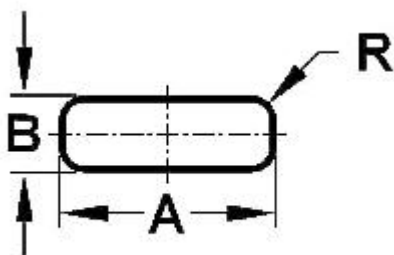
-400



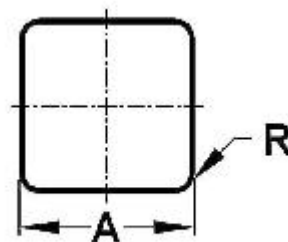
-500



-650



-850



-860